

# Hustler® Parts Manual



**HUSTLER®**  
TURF EQUIPMENT

200 South Ridge Road

Hesston, Kansas

67062



#### NOTICE OF REQUIREMENT OF SPARK ARRESTER MUFFLER

This equipment may create sparks that can start fires around dry vegetation. California Public Resources Code Section 4442.6 provides that it is unlawful to use or operate an internal combustion engine on any forest-covered, brush-covered, or grass-covered land unless the engine is equipped with a spark arrester maintained in effective working order. A spark arrester is a device constructed of nonflammable materials specifically for the purpose of removing and retaining carbon and other flammable particles over 0.0232 of an inch in size from the exhaust flow of an internal combustion engine that uses hydrocarbon fuels or which is qualified and rated by the United States Forest Service. Other states or federal areas may have similar laws. The Operator Should Contact Local Fire Agencies For Laws or Regulations Relating to Fire Prevention Requirements. **THIS EQUIPMENT DOES NOT HAVE A SPARK ARRESTER AND YOU SHOULD CONTACT YOUR AUTHORIZED DEALER FOR THE PURCHASE OF A SPARK ARRESTER.**

Inspect spark arrester daily; replace every 500 hours or as needed.

The Engine Owner's Manual provides information regarding the U.S. Environmental Protection Agency (EPA) and the California Emission Control Regulation of emission systems, maintenance and warranty.

Keep Engine Owner's Manual with your unit. Should the Engine Owner's Manual become damaged or illegible, replace immediately. Replacements may be ordered per the information found in the Product Information section of the owner's manual.

Federal law and California State law prohibit the following acts or the causing thereof:

1. The removal or rendering inoperative by any person other than for purposes of maintenance, repair, replacement, of any device or element of design incorporated into any equipment for the purposes of emissions control prior to or after its sales or delivery to the ultimate purchaser or while it is in use, or
2. The use of the equipment after such device or element of design has been removed or rendered inoperative by any person.

General Information Page .....	1
<b>Frame, Footrest, Engine Cover &amp; Air Cleaner Support</b>	
Frame .....	2-1
Footrest .....	2-2
Engine Cover (Multi-Page) .....	2-3
Radiator & Air Cleaner Support .....	2-4
<b>Hydraulics, Steering &amp; Brake</b>	
Hydraulic System (Multi-Page) .....	3-1
Pump Assembly Breakdown .....	3-2
Hydraulic Filter and Reservoir Assembly Breakdown .....	3-3
Manifold Assembly Breakdown .....	3-4
Wheel Motor Breakdown .....	3-5
Steering .....	3-6
Steering Cover Assembly (Multi-Page) .....	3-7
RS Steering Box Assembly .....	3-8
LS Steering Box Assembly .....	3-9
Brake .....	3-10
<b>Wheels &amp; Tires</b>	
Wheels & Tires .....	4-1
Front Wheel Assembly .....	4-2
Drive Wheel Assembly .....	4-3
<b>Engine, Muffler, Fuel System, Air Cleaner, Belt Drive &amp; Clutch</b>	
Engine, Muffler & Battery (Multi-Page) .....	5-1
Fuel System .....	5-2
Air Cleaner .....	5-3
Cooling System .....	5-4
Belt Drive & Clutch .....	5-5
<b>Instrument Panel, Wire Harness &amp; Battery</b>	
Instrument Panel & Wire Harness .....	6-1
Battery .....	6-2
<b>Deck, Deck Belt, Blades &amp; Deck Lift</b>	
Service Deck .....	7-1
Deck Pulleys & Spindles .....	7-2
Spindle Assembly Service Parts - 607407 .....	7-3
Deck Belt, Discharge Chute, Pulley Covers & Blades (Multi-Page) .....	7-4
60" / 72" RD - Deck Lift & Mounting Hardware (Multi-Page) .....	7-5
Dust Shield .....	7-6
<b>Seat, ROPS &amp; Firewall</b>	
Seat .....	8-1
Seat Service Parts - 608935 .....	8-2
ROPS & Firewall .....	8-3





---

# General Information

*Note:* When ordering parts, you must use the part number as shown for each part, not the index number. Always give the model and serial number to your parts and service representative.

*Note:* Items sold in bulk such as seals and hoses are sold by the foot.

---

## **Using This Manual**

This manual is part of a service package for the Hustler® mowers. Use of this manual in conjunction with other Hustler® mower and component manuals will provide the information necessary to service and maintain Hustler® mowers.

This Parts Manual provides a complete parts listing for the unit. Use this manual when ordering parts. Illustrations used were current at the time of printing, but subsequent production changes may cause your machine to vary slightly in detail. Excel Industries, Inc. reserves the right to redesign and change the machine as deemed necessary, without notification. If a change has been made to your machine which is not reflected in this parts manual, see your authorized dealer for current information and parts.

The Service Manual is a service guide for use by Service Technicians. It provides the necessary information needed to perform normal maintenance requirements on these units.

The Operator's Manual provides fundamental operational information and operational safety that is needed when operating the mower.

The component manuals are furnished by the various manufacturers to be used for the troubleshooting and servicing of their products.

## **Hardware Description Codes & Abbreviations**

The following codes are used throughout this parts manual. Refer to this list when ordering parts.

ABBREVIATION	DESCRIPTION	ABBREVIATION	DESCRIPTION
CB	CARRIAGE BOLT	MB	MACHINE BUSHING
CE	CLEVIS PIN	MS	MACHINE SCREW
CN	CLIP NUT	NT	NUT
CP	COTTER PIN	SC	SELF TAPPING CAP SCREW
CS	CAP SCREW	SH	SOCKET HEAD
CW	CUP WASHER	SB	SHOULDER BOLT
FDRW	FENDER WASHER	SS	SET SCREW
FW	FLAT WASHER	OD	OUTSIDE DIAMETER
HX	HEX HEAD	ID	INSIDE DIAMETER
LW	LOCK WASHER	WN	WELD NUT

---

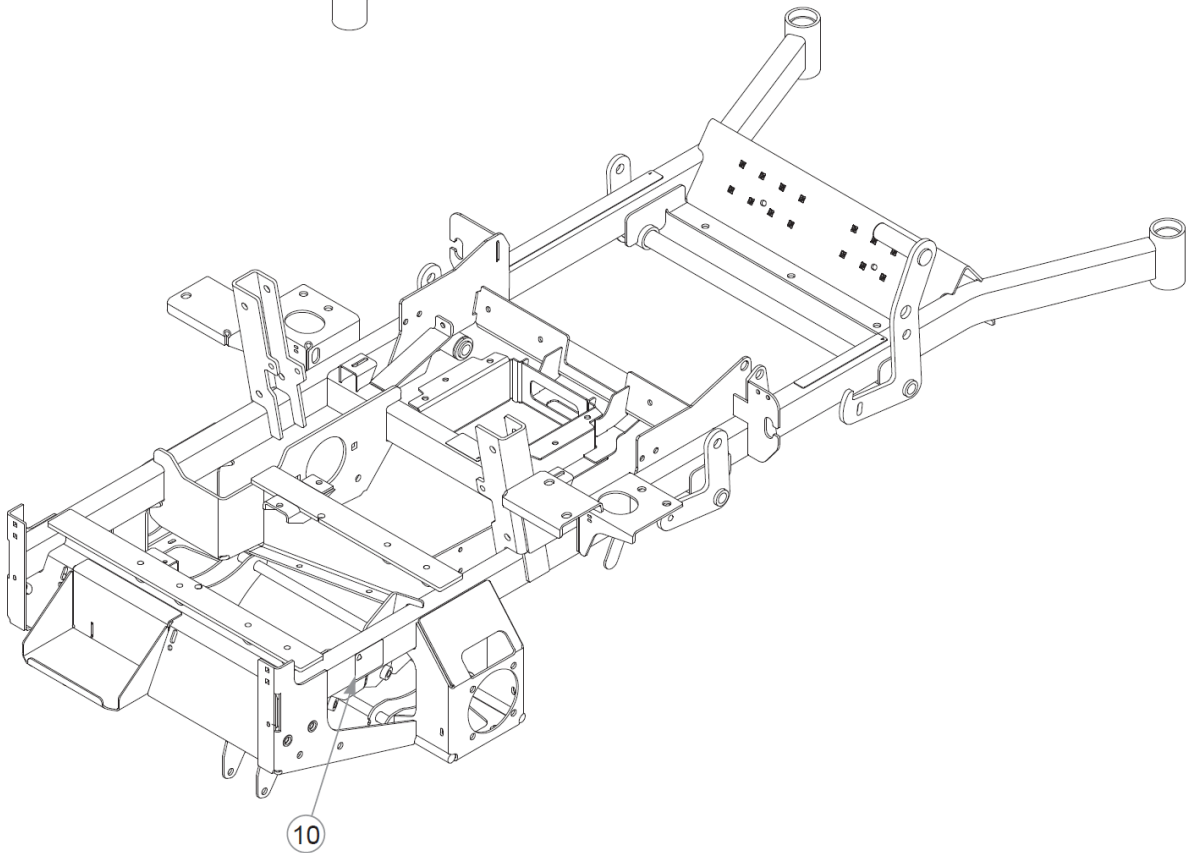
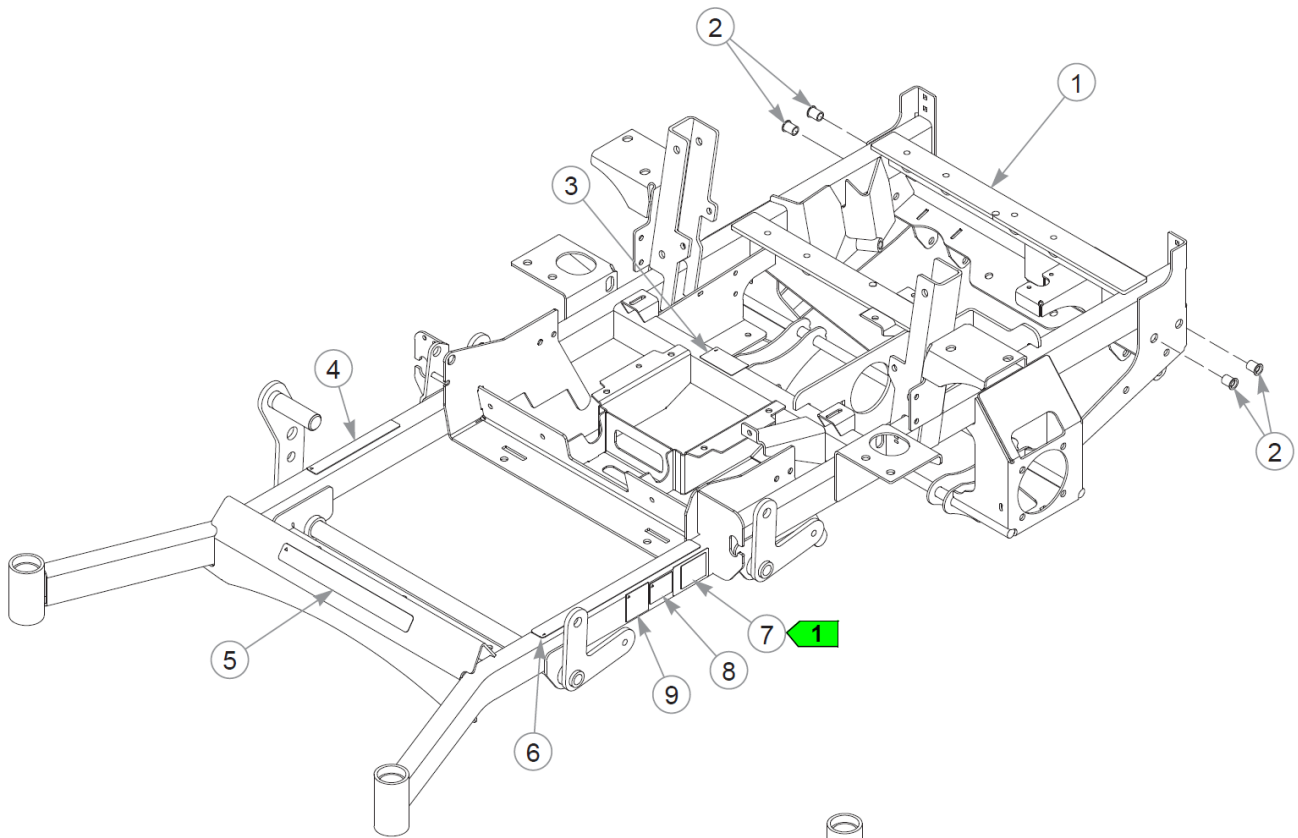
## **Standard Torques**

The following chart lists the standard torque values for the threaded fasteners found in this manual. Torque all cap screws, nuts and set screws to these values unless a different torque is shown in the Notes section next to the fastener.

SIZE	FT-LBS	N•M	SIZE	FT-LBS	N•M
.250	8.2	11.1	M3	1	1.3
.312	17	23	M4	2.2	3
.375	30	40	M5	4.5	6.1
.438	48	65	M6	7.7	10.4
.500	73	99	M8	18.5	25
.562	105	143	M10	37	50
.625	145	200	M12	64	87
.750	260	350	M14	80	108.5
.875	420	565	M16	160	215
1.00	625	850	M20	320	435
			M24	555	750

---

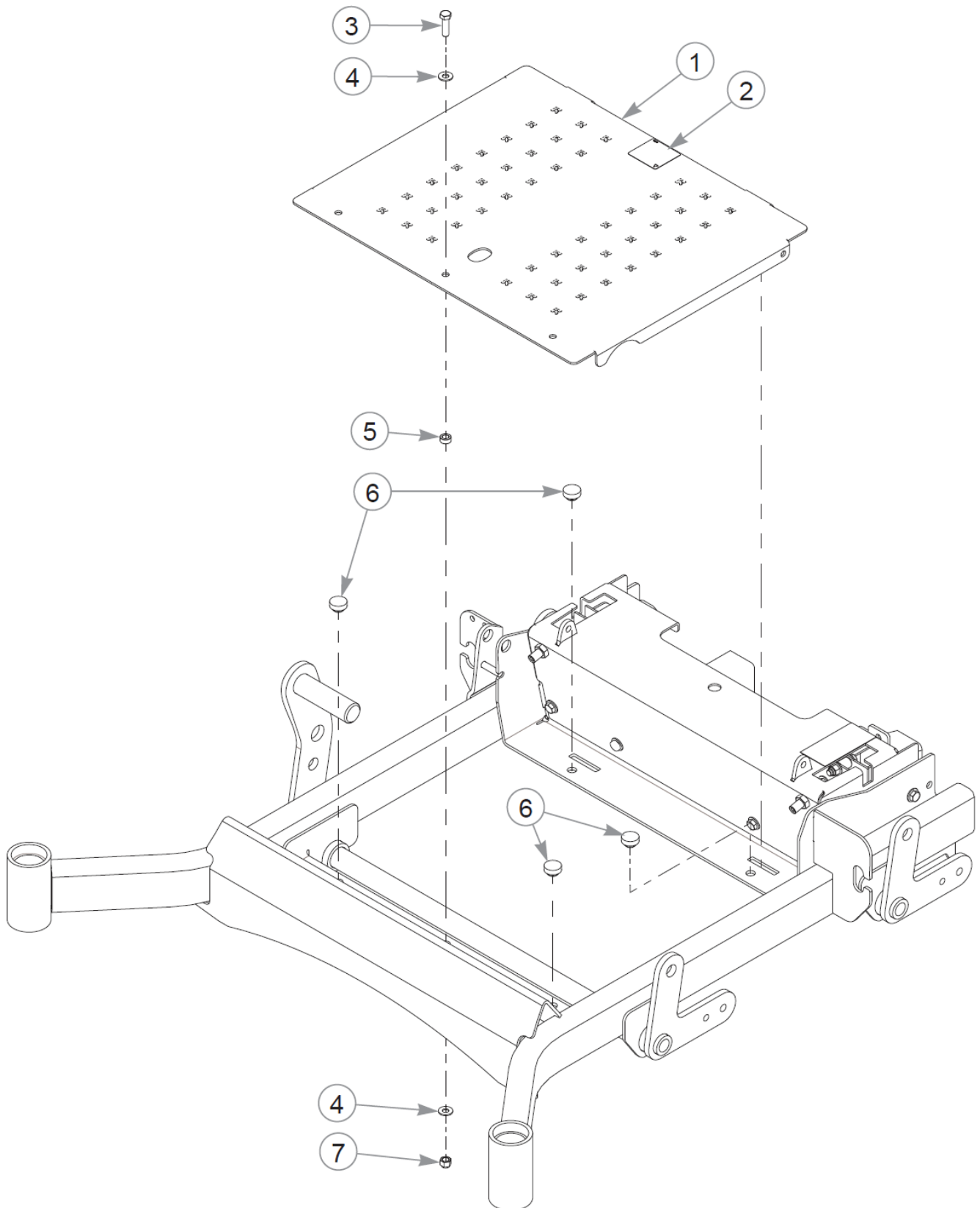
This page intentionally left blank



Item	Part No.	Qty	Name
1	551156CE	1	SERVICE FRAME, 72"
2	600961	4	RIVET NUT, 1/2-13 THREAD
3	601968	1	DECAL, HYDRAULIC PRESS
4	781427CE	1	DECK HEIGHT INDICATOR DECAL
5	602407	1	DECAL, HUSTLER ID
6	601993	1	DECAL, SAFE OPERATION
7	N/A	1	SERIAL NO / SPEC DECAL
8	776310	1	DECAL, CE MARK
9	789776CE	1	DBA LIMIT DECAL
10	601596	1	DECAL, BELT ROUTING

Comments for Page: Frame

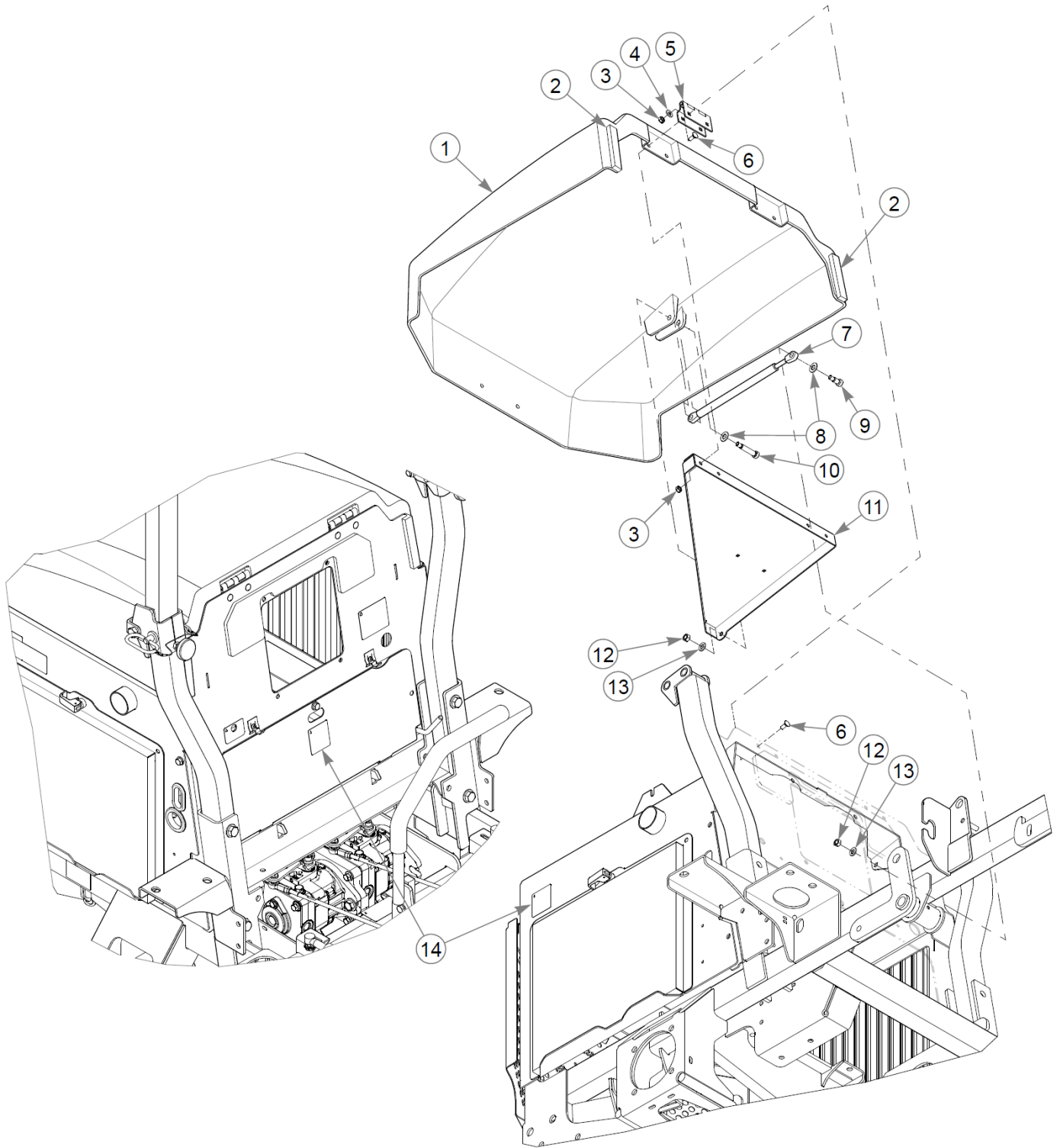
1. In the event the serial number decal becomes damaged or illegible, please contact your dealer to order a replacement.
2. The frame includes the decals and rivet nuts.



Item	Part No.	Qty	Name
1	551139	1	FLOORPAN, SERVICE
2	602562	1	DECAL, NO SERVICE
3	052860	1	CS .375-16X1.25 HX G5 ZN
4	767954	2	FW 0.379X.82X.06 HD ZN
5	118900	1	SPACER, DECK LIFT LINK
6	781880	4	BUMPER, .500x 1.00x .31
7	086660	1	NT .375-16NLG8

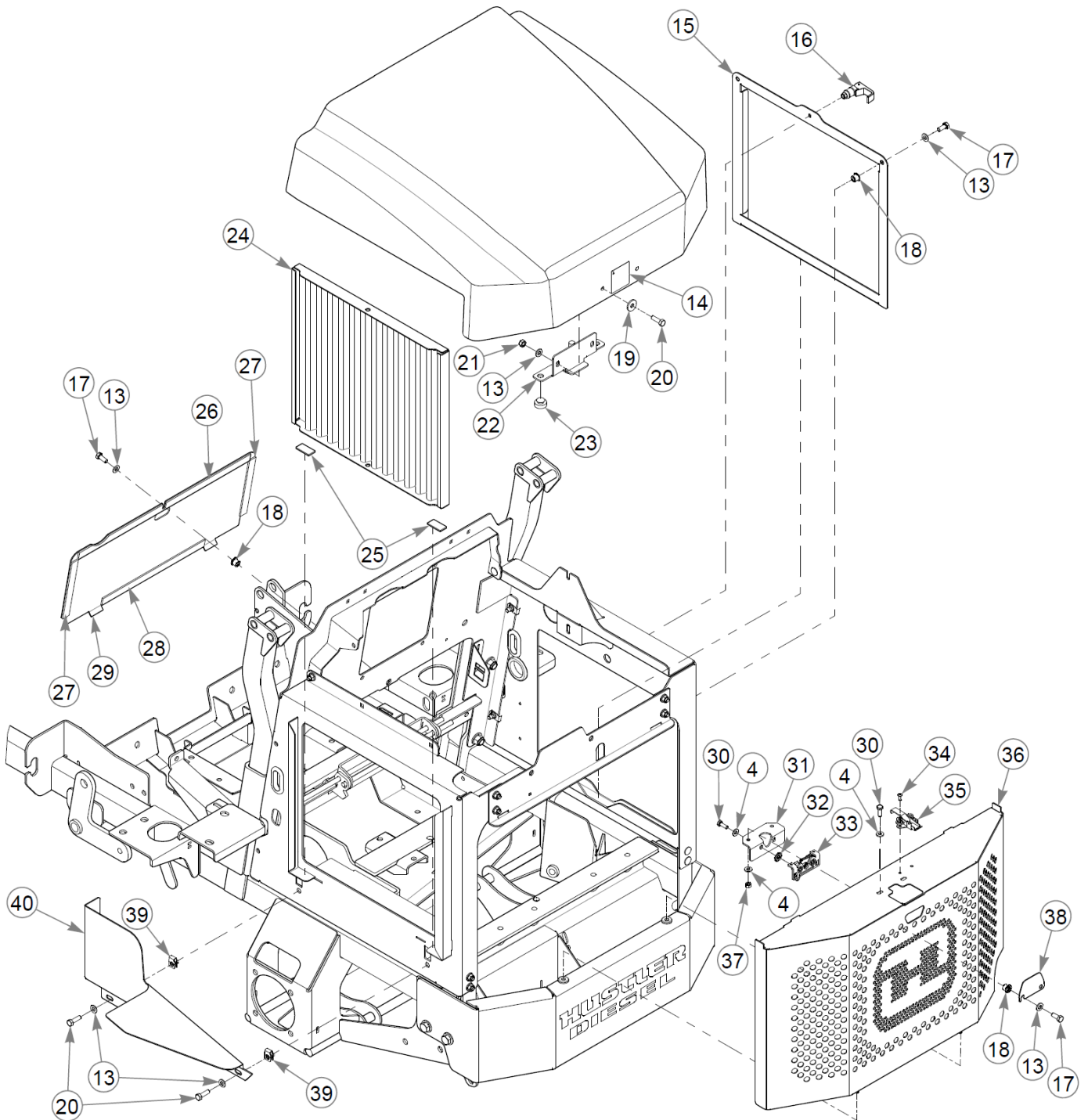
Comments for Page: Footrest

1. The floor plate includes the decal.



This page intentionally left blank

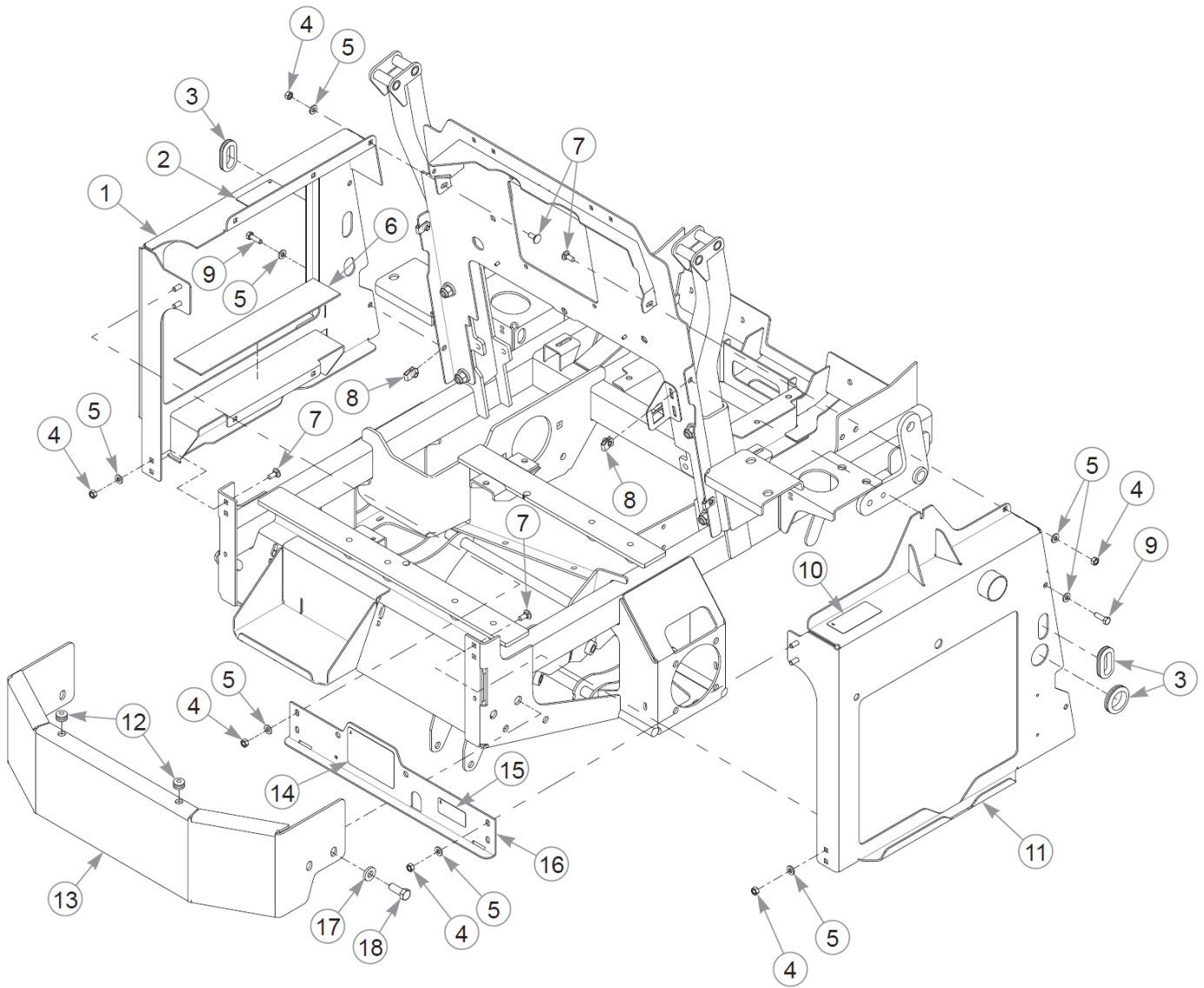




Item	Part No.	Qty	Name
1	601363	1	HOOD, HDZ
2	713198P	1	SEAL 3/8x3/4 - 6 FT
3	068551	8	NT .250-20 HXZY NL
4	768515	10	FW 0.281SAE
5	601364	2	HINGE, 3"X3" ZN W/ HOLES
6	601503	8	CB .250-20 X .625 ZN
7	601564	1	GAS SPRING, HDZ HOOD
8	767954	2	FW 0.379X.82X.06 HD ZN
9	063297	1	SB .375X0.500SH0.312-18
10	601379	1	SB .375 X 1.50SH .312-18
11	109745	1	LIFT SUPPORT W/A
12	034272	2	NT .312-18HXG5
13	768523	10	FW 0.343SAE
14	602562	3	DECAL, NO SERVICE
15	109341	1	SCREEN, RS W/A HDZ
16	791384	1	LATCH, HEAVY DUTY SWELL
17	034280	4	CS .312-18X0.750HXG5
18	808485	4	RIVET NUT, 5/16-18 THRE
19	712927	2	FW 0.344X1.00X.12 HD ZN
20	036236	4	CS .312-18X1.000HXG5
21	058776	2	NT .312-18NLG5
22	109722	1	LATCH STRIKER W/A
23	781880	2	BUMPER, .500x 1.00x .31
24	109137	1	RADIATOR SCREEN W/A HDZ
25	033035P	1	WEATHERSTRIP .12X.75 - 2FT
26	033035P	1	WEATHERSTRIP .12X.75 - 2FT
27	033035P	1	WEATHERSTRIP .12X.75 - 2FT
28	033035P	1	WEATHERSTRIP .12X.75 - 2FT
29	109136	1	PANEL, FIREWALL ACCESS
30	055939	4	CS .250-20X0.75 HX G5 ZN
31	124364-1	1	LATCH BRACKET
32	029868	2	LW .250 INTEXT ZN
33	601373	1	LATCH, SLAM SOUTHCO
34	601089	2	RIVET .188 DIA BLK HD
35	758821	1	OVER CNTR CATCH W/LCK H

This page intentionally left blank

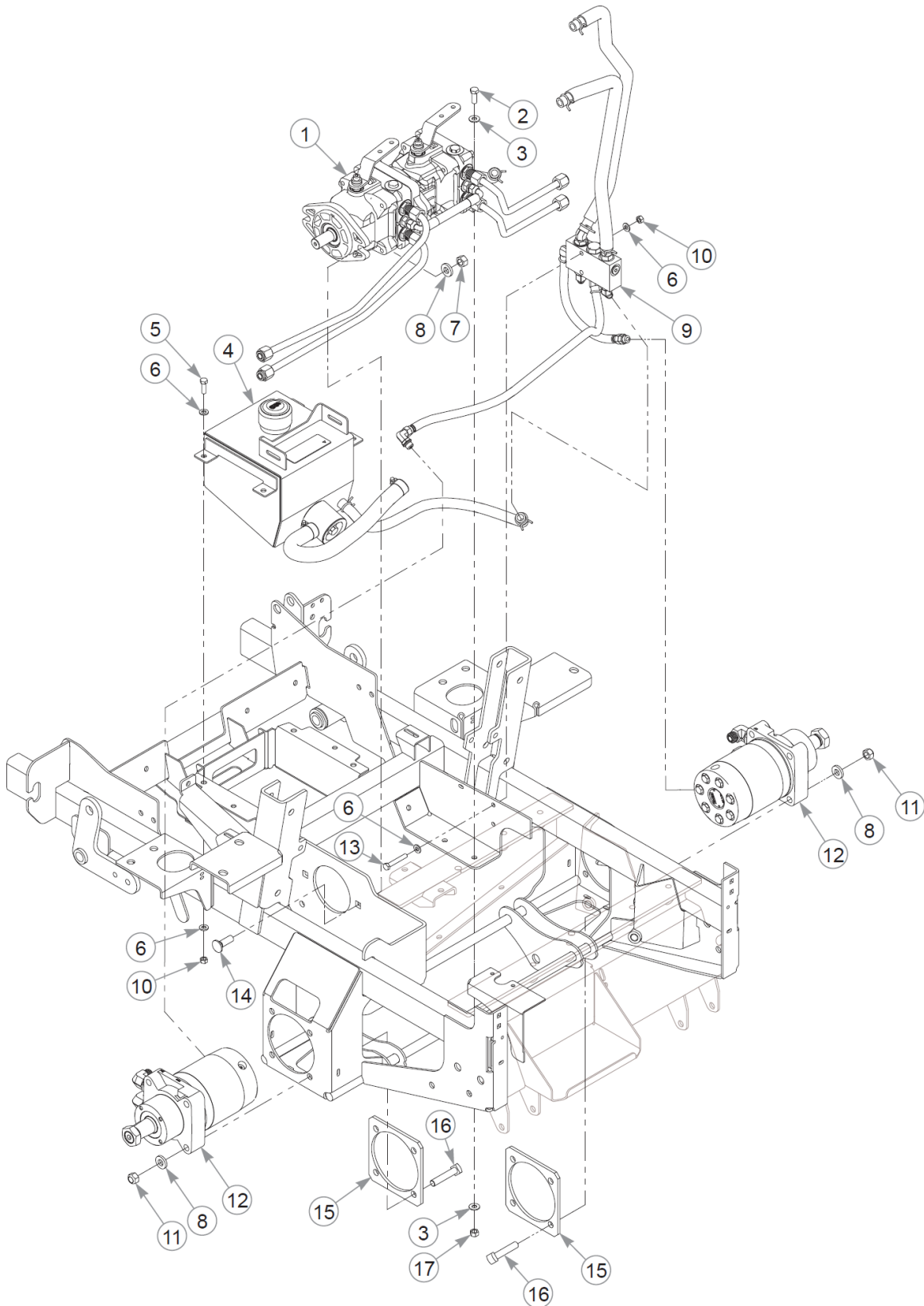
Item	Part No.	Qty	Name
36	109413	1	COVER, REAR W/A HDZ
37	024927	2	NT .250-20HXG5
38	109720	1	PLATE, LATCH COVER LOCK
39	601069	2	CN .312-18x.200 MAX THK
40	109559	1	FENDER, INNER PANEL



Item	Part No.	Qty	Name
1	551141	1	RADIATOR SUPPORT,
2	763805CE	1	FAN WARNING DECAL
3	794644	3	GM 1.50 X 2.12 X 1.75
4	034272	10	NT .312-18HXG5
5	768523	14	FW 0.343SAE
6	601558	1	RADIATOR SUPPORT PAD
7	016253	6	CB .312-18X .750 FUL ZN
8	601069	4	CN .312-18x.200 MAX THK
9	036236	4	CS .312-18X1.000HXG5
10	601967	1	DECAL, ENGINE COMPART
11	551142	1	AIR CLEANER MOUNT,
12	031666	2	GM .31X.81X.56X.18
13	109105	1	GUARD, REAR ENGINE W/A
14	601815	1	DECAL, BATTERY WARNINGS
15	602041	1	DECAL, HOT
16	551143	1	OVERFLOW BOTTLE MOUNT
17	767962	4	FW .531 x 1.063 x .175
18	705954	4	CS .500-13X1.25 HX G5 ZN

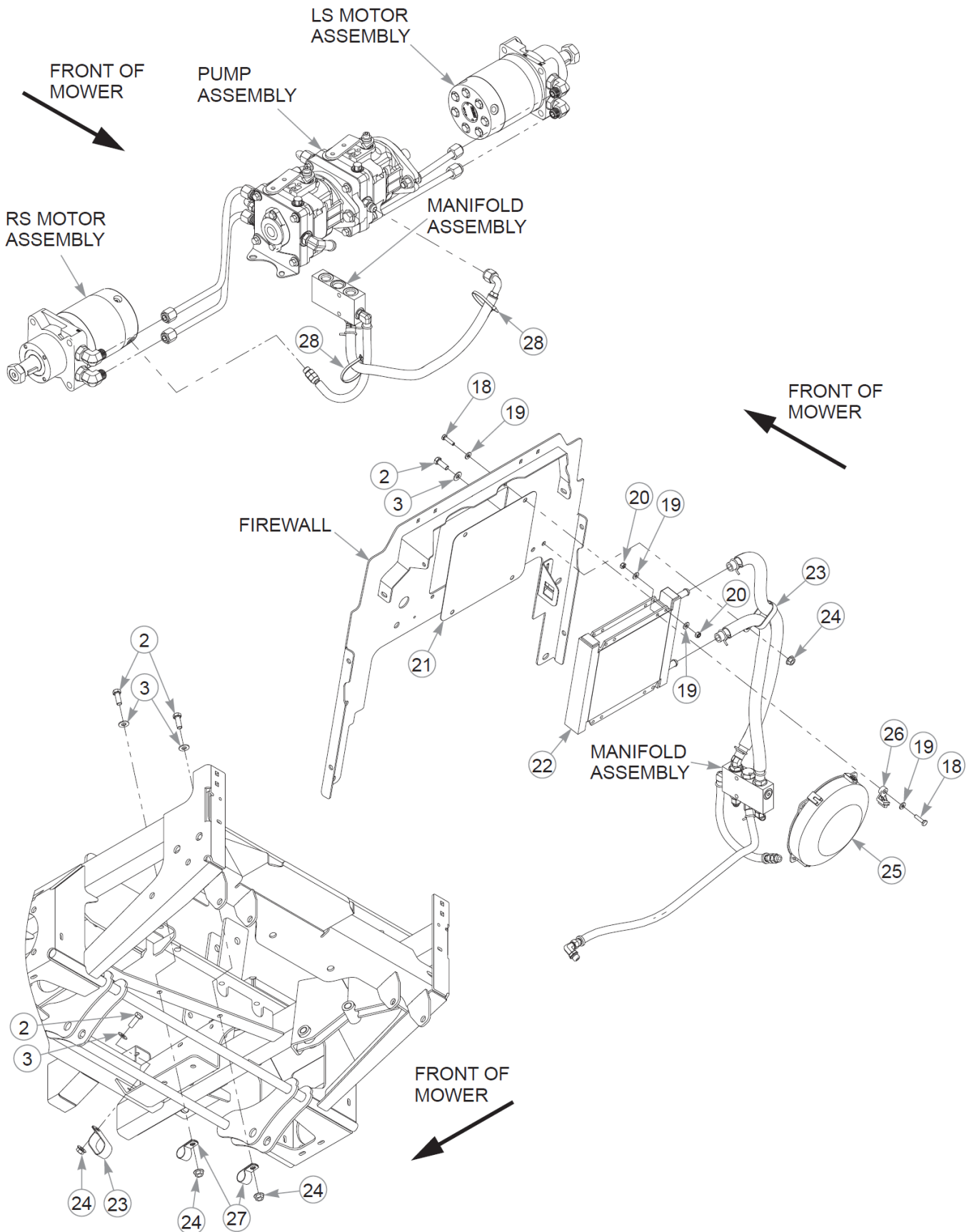
Comments for Page: Radiator & Air Cleaner Support

1. The radiator screen, air cleaner mounting panel and hood support angle include decals.

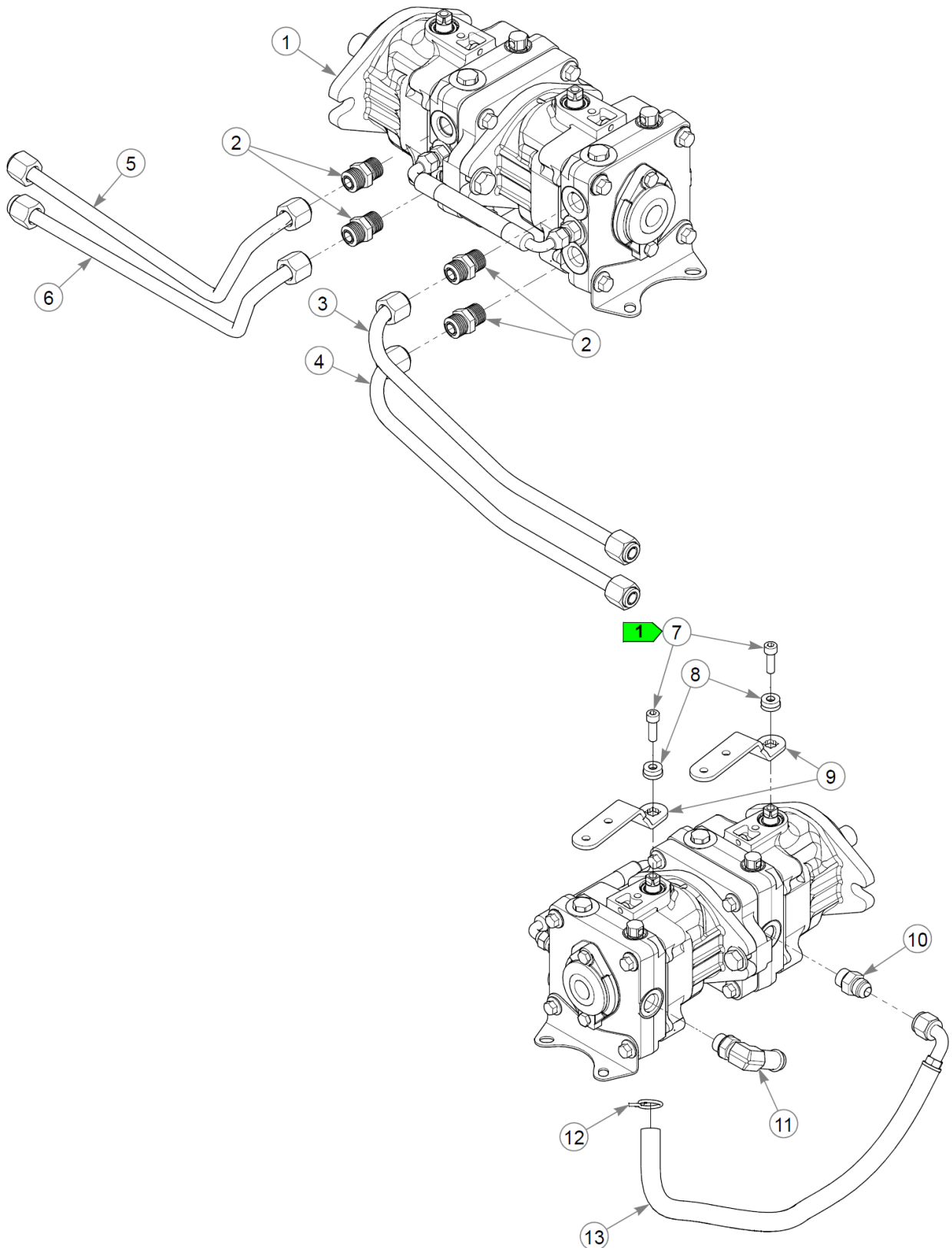


This page intentionally left blank





Item	Part No.	Qty	Name
1	N/A	1	REFER TO "PUMP ASSEMBLY"
2	036244	6	CS .375-16X1.00 HX G5 ZN
3	767954	8	FW 0.379X.82X.06 HD ZN
4	N/A	1	REFER TO "RESERVOIR ASSEMBLY"
5	036236	4	CS .312-18X1.000HXG5
6	768523	12	FW 0.343SAE
7	008193	2	NT .500-13HXG5
8	767962	10	FW .531 x 1.063 x .175
9	N/A	1	REFER TO "MANIFOLD ASSEMBLY"
10	034272	6	NT .312-18HXG5
11	023317	8	NT .500-13UNTG8
12	N/A	2	REFER TO "MOTOR ASSEMBLY"
13	064345	2	CS .312-18X2.000HXG5
14	028274	2	CB .500-13X 1.500 FULL
15	115816	2	GUSSET, INT
16	602256	8	CS .500-13X2.500 SQ G5
17	054502	2	NT .375-16HXG5
18	056077	8	CS .250-20X1.000HXG5
19	768515	16	FW 0.281SAE
20	068551	8	NT .250-20 HXZY NL
21	109401	1	SCREEN, OIL COOLER
22	608007	1	OIL COOLER
23	045088	2	HOSE CLAMP 1" (FS)
24	016899	4	NT .375-16 FLKG5
25	601357	1	FAN, ELECTRIC 8" 12VDC
26	601538	4	FOOT, ELECTRIC FAN
27	043570	2	CLIP - HOSE - SINGLE(FS)
28	000331	2	WIRE TIE, SMALL/SHORT



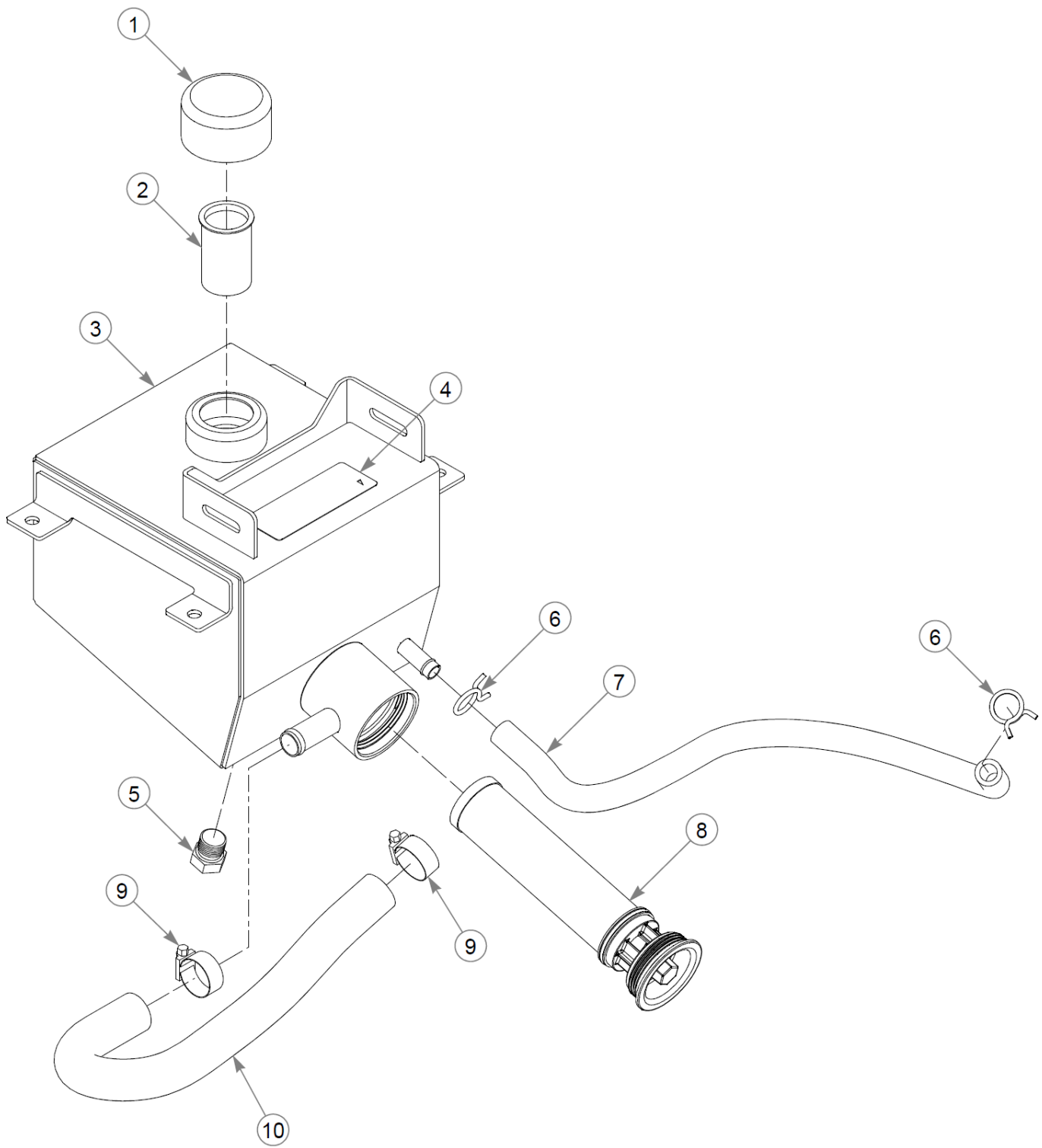
Item	Part No.	Qty	Name
1	603650	1	PUMP, 21CC TANDEM - HH
	600934	1	SEAL KIT, HG TANDEM 21
2	781534	4	FTG, STR-8MORB/-8MS
3	603701	1	TUBE, TP-TM RH LOOP
4	603700	1	TUBE, BP-BM RH LOOP
5	603699	1	TUBE, TP-TM, LH LOOP
6	603698	1	TUBE, BP-BM LH LOOP
7	795377	2	CS M8-1.25x25 SH BO ZN
8	795369	2	RETAINER-PUMP ARM - HH
9	109118	2	PUMP ARM, HDZ
10	771337	1	FTG,STR-8MORB/-8MJIC
11	601524	1	FTG, -8MORB/-12 BEAD
12	601001	1	SPRING CLAMP, .75" DIA
13	601520	1	HOSE, CASE DRAIN PUMP
14	796060	1	HOSE,LP PUMP TO PUMP

Comments for Page: Pump Assembly Breakdown

1. Torque to 20–23 N•m.

Hydraulic Filter and Reservoir Assembly  
Breakdown

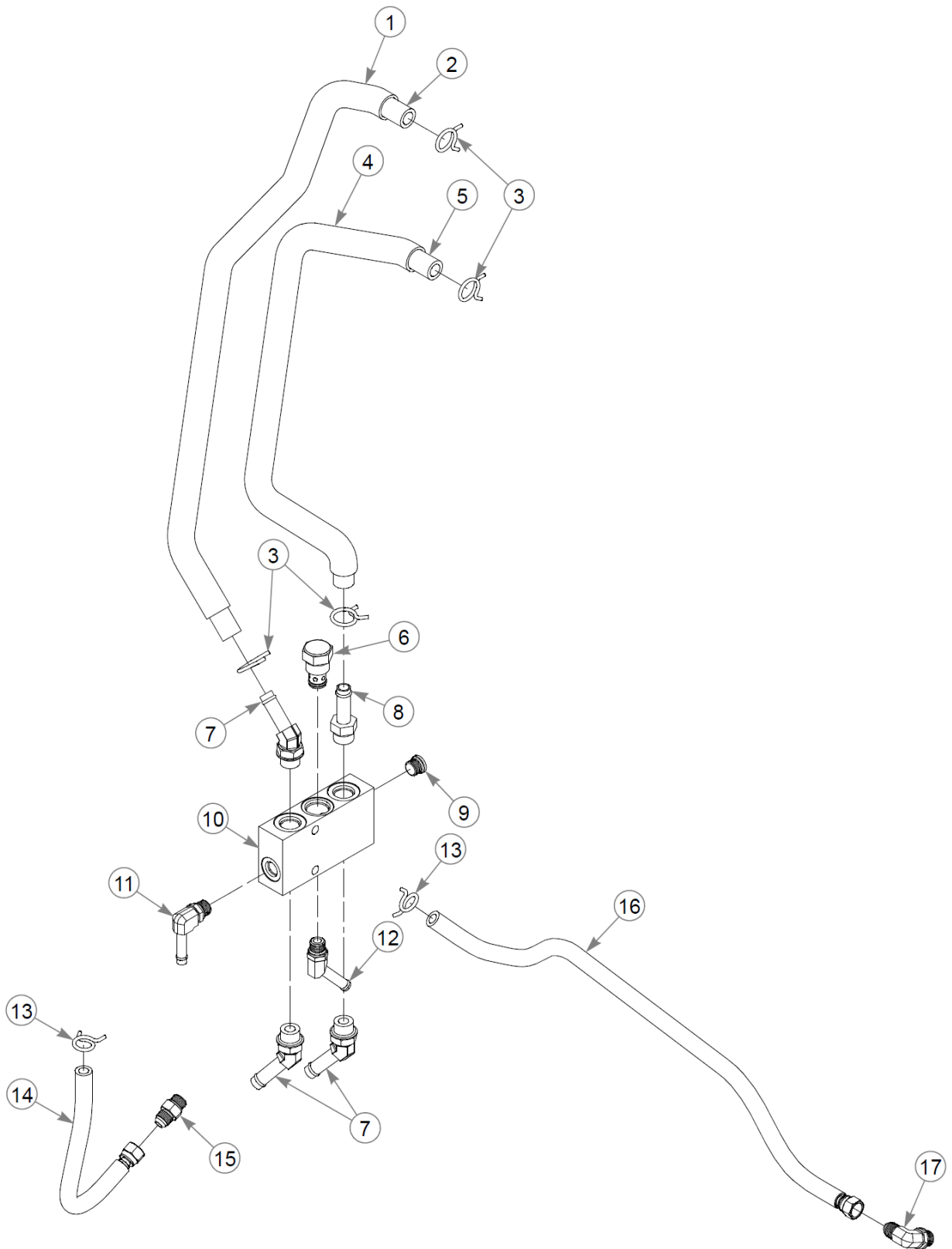
72" Diesel Z Parts Manual - 943266CE -  
HTHDZR072PER403J-11C



Hydraulic Filter and Reservoir Assembly  
Breakdown

72" Diesel Z Parts Manual - 943266CE -  
HTHDZR072PER403J-11C

Item	Part No.	Qty	Name
1	032763	1	CAP, BREATHER
2	032771	1	STRAINER
3	549345	1	RESERVOIR W/A HDZ
4	779280	1	DECAL, HOT & HYD OIL
5	781658	1	FTG, -8MORB/HEX PLUG
6	601001	2	SPRING CLAMP, .75" DIA
7	601570	1	HOSE, RETURN MANI BLOCK
8	601413X	1	FILTER ELEMENT
9	700484	2	CLAMP, HOSE (FS)
10	601517	1	HOSE, SUCTION HDZ HYDRO

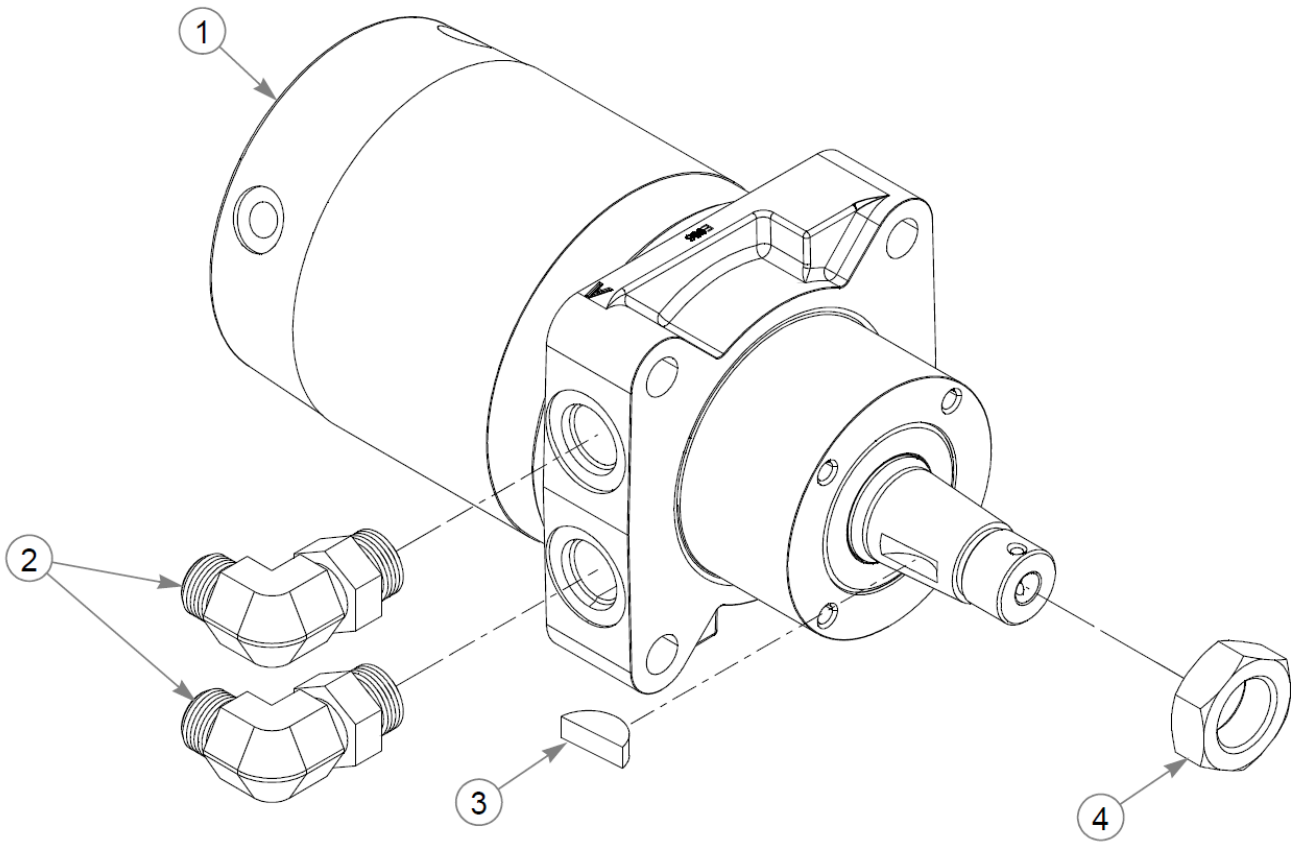


Manifold Assembly Breakdown

72" Diesel Z Parts Manual - 943266CE -  
HTHDZR072PER403J-11C

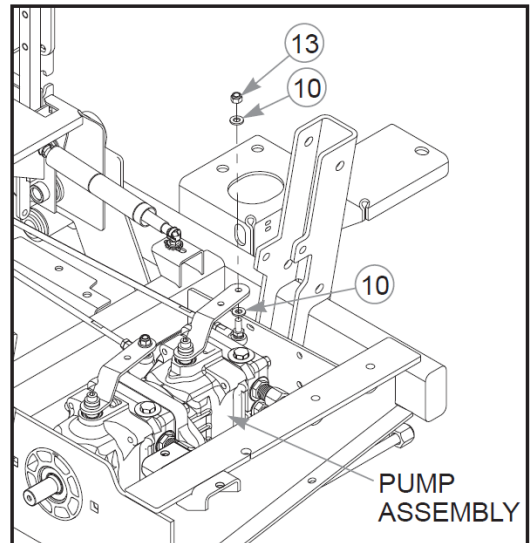
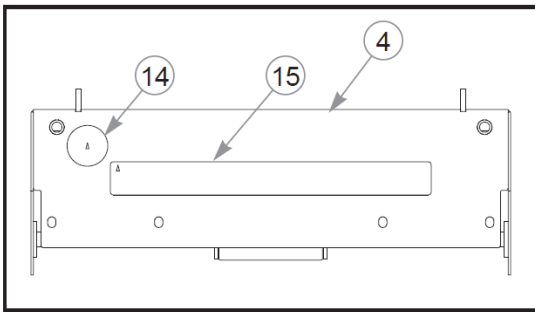
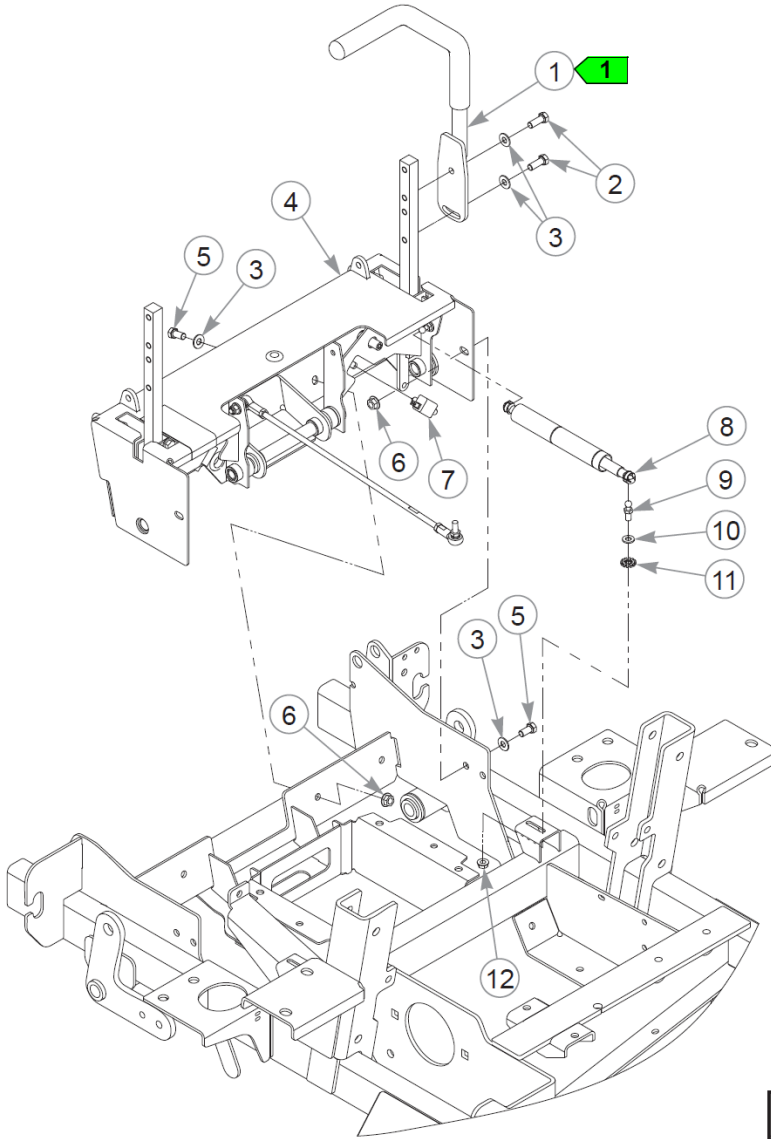
Item	Part No.	Qty	Name
1	601583	1	HOSE GUARD, BLOCK TO
2	601521	1	HOSE, MANIFOLD BLOCK
3	601001	4	SPRING CLAMP, .75" DIA
4	601584	1	HOSE GUARD, COOLER TO
5	601522	1	HOSE, RETURN COOLER
6	601568	1	VALVE, CARTRIDGE CHECK
7	601592	3	FTG, -8MORB/-8BEAD
8	601523	1	FTG, -8MORB/-8BT STR
9	601569	1	FTG, PLUG -8MORB/HEX
10	601476	1	MANIFOLD, CASE DRAIN
11	787465	1	FTG, 90°-6MORB/-6BT
12	784108	1	FTG, 45°-6MORB/-6BT
13	601617	2	SPRING CLAMP, 5/8" DIA.
14	603697	1	HOSE, CASE DRAIN RIGHT
15	779132	1	FTG, -6MORB/-6MJIC STR
16	603722	1	HOSE, CASE DRAIN LEFT
17	795922	1	FTG, 90-6MORB/-6MJI





Wheel Motor Breakdown

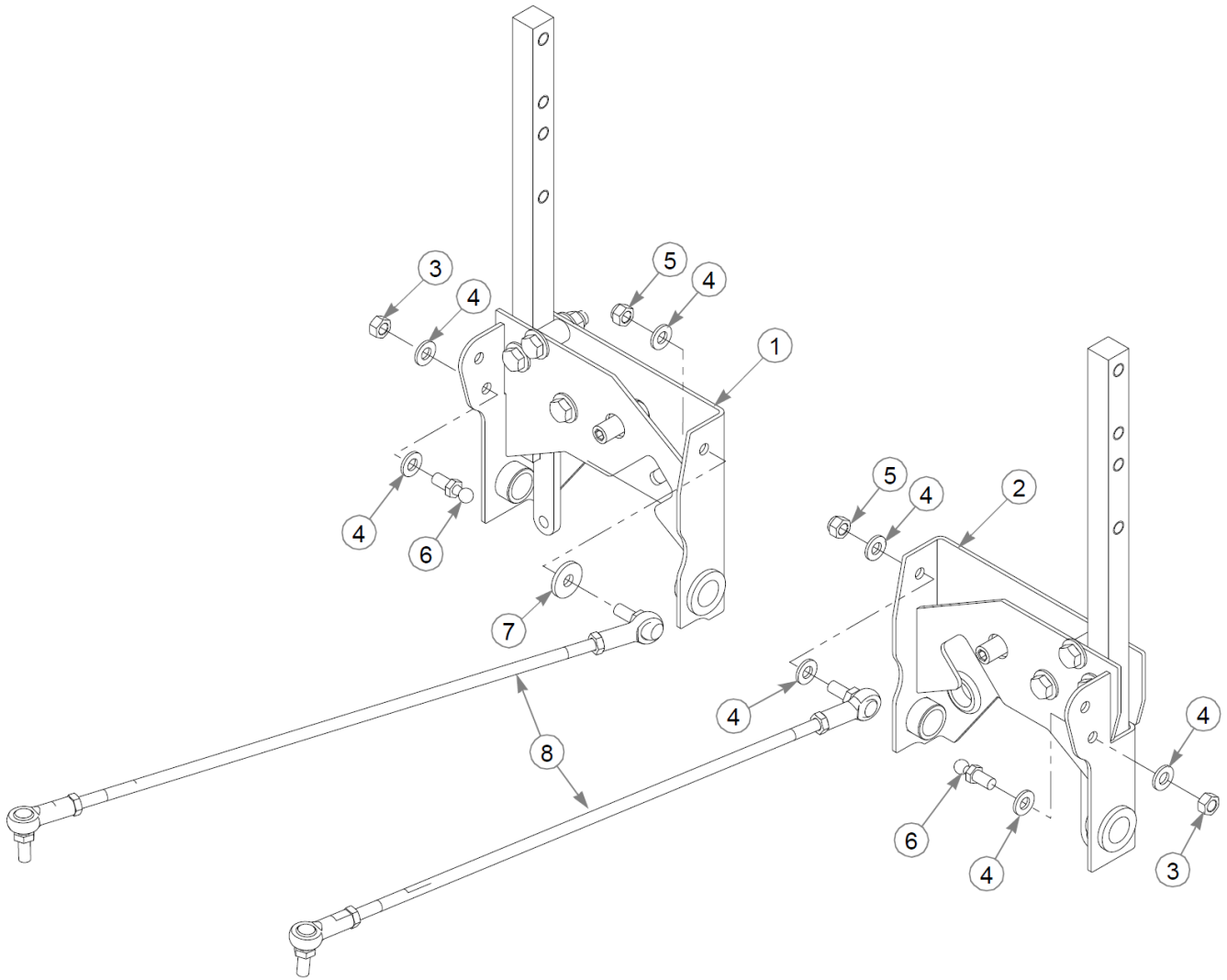
Item	Part No.	Qty	Name
1	603663	1	MOTOR, TG0335 - HH
<p>Comments for Part Num. 603663</p> <p>Wheel Motor includes 065516 ROSS NUT.</p>			
2	781526	2	FTG, 90°-10MORB/-8MORFS
3	064337	1	ROSS WOODRUFF KEY
4	065516	1	ROSS NUT
5	748806	1	ROSS VITON SEAL KIT



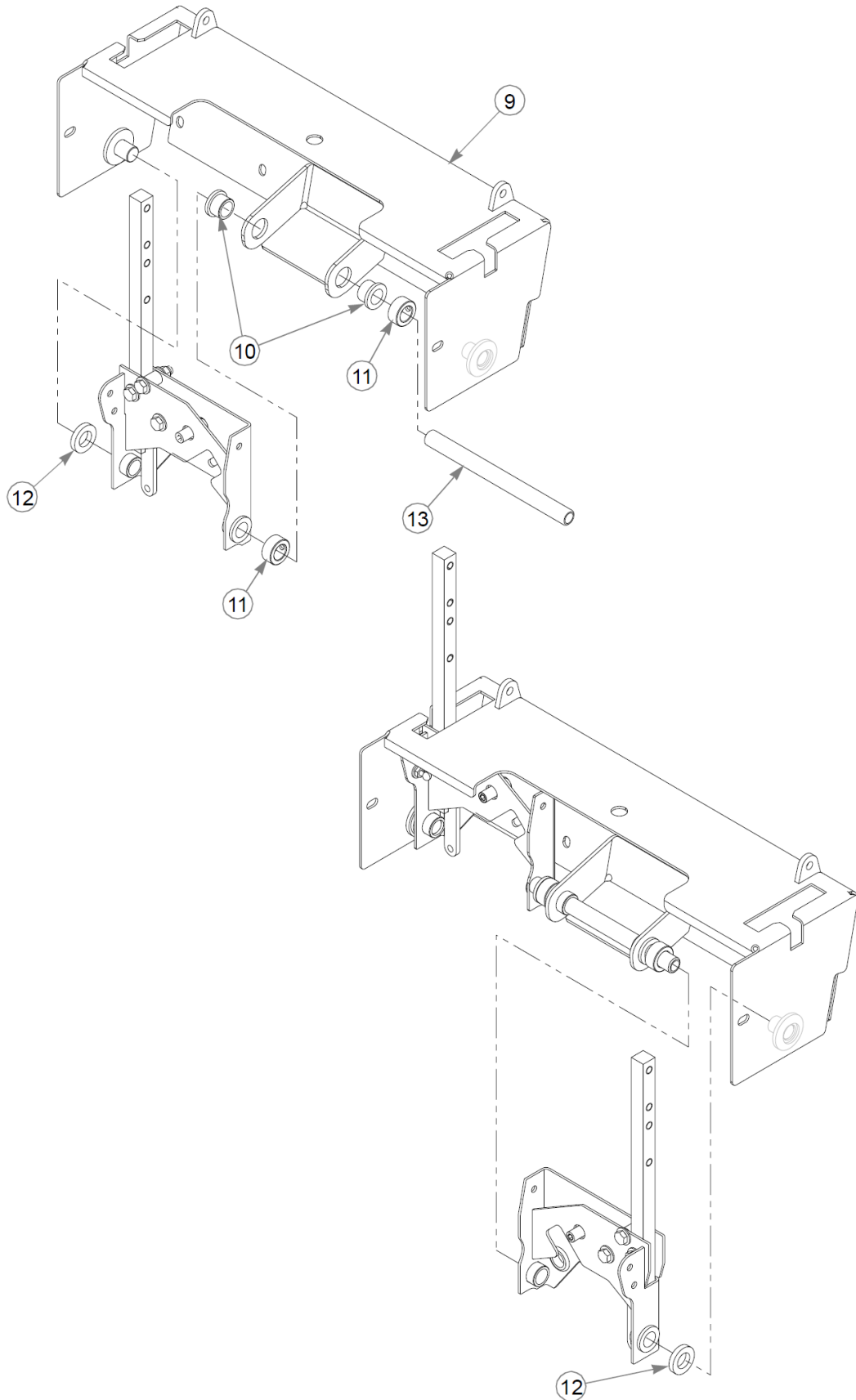
Item	Part No.	Qty	Name
1	109839	2	HANDLE, Z W/A
	781260	2	GRIP, STEERING BAR
2	036244	4	CS .375-16X1.00 HX G5 ZN
3	767954	10	FW 0.379X.82X.06 HD ZN
4	N/A	1	REFER TO "STEERING COVER ASSEMBLY"
5	055822	6	CS .375-16X0.75 HX G5 ZN
6	016899	6	NT .375-16 FLKG5
7	601087	2	SWITCH, PLUNGER N.O.
8	795351	2	DAMPER, CENTERING
9	781922	2	BALL STUD
10	768523	6	FW 0.343SAE
11	029876	2	LW .312 INTEXT ZN
12	016832	2	NT .312-18FLKG5
13	023655	2	NT 0.312-24 NL G8
14	608127	1	DECAL, USA, F&D
15	608102	1	DECAL, DIESEL Z

Comments for Page: Steering

1. The handles include the grips.

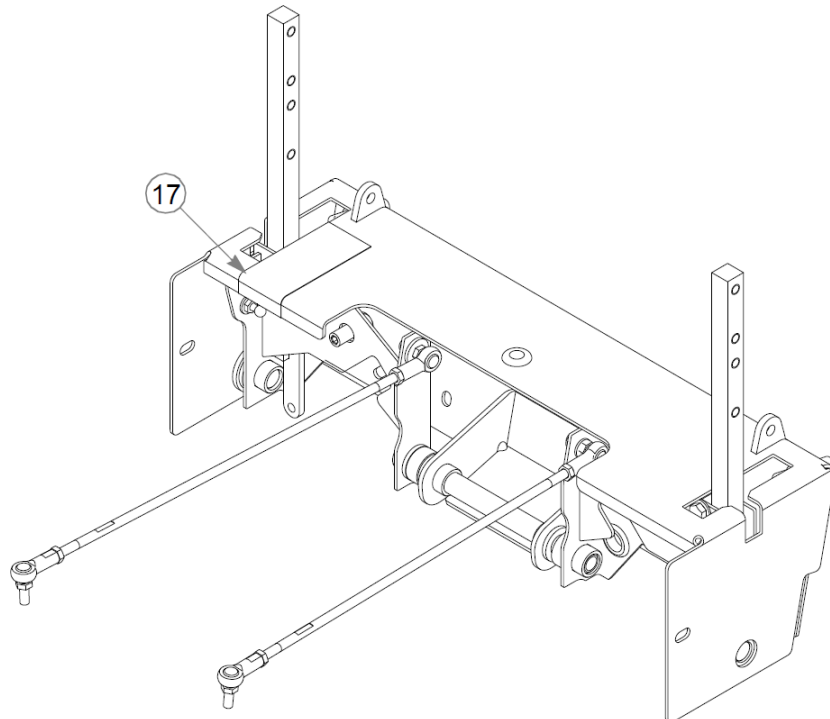
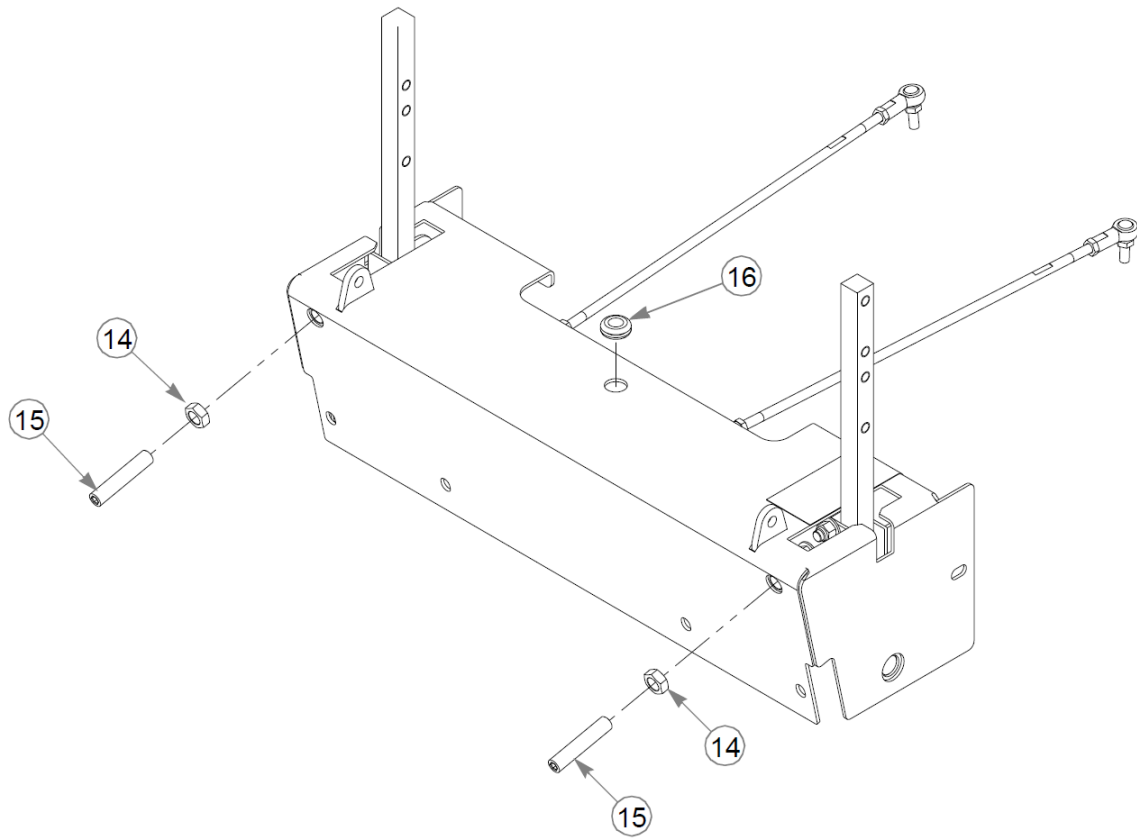


This page intentionally left blank

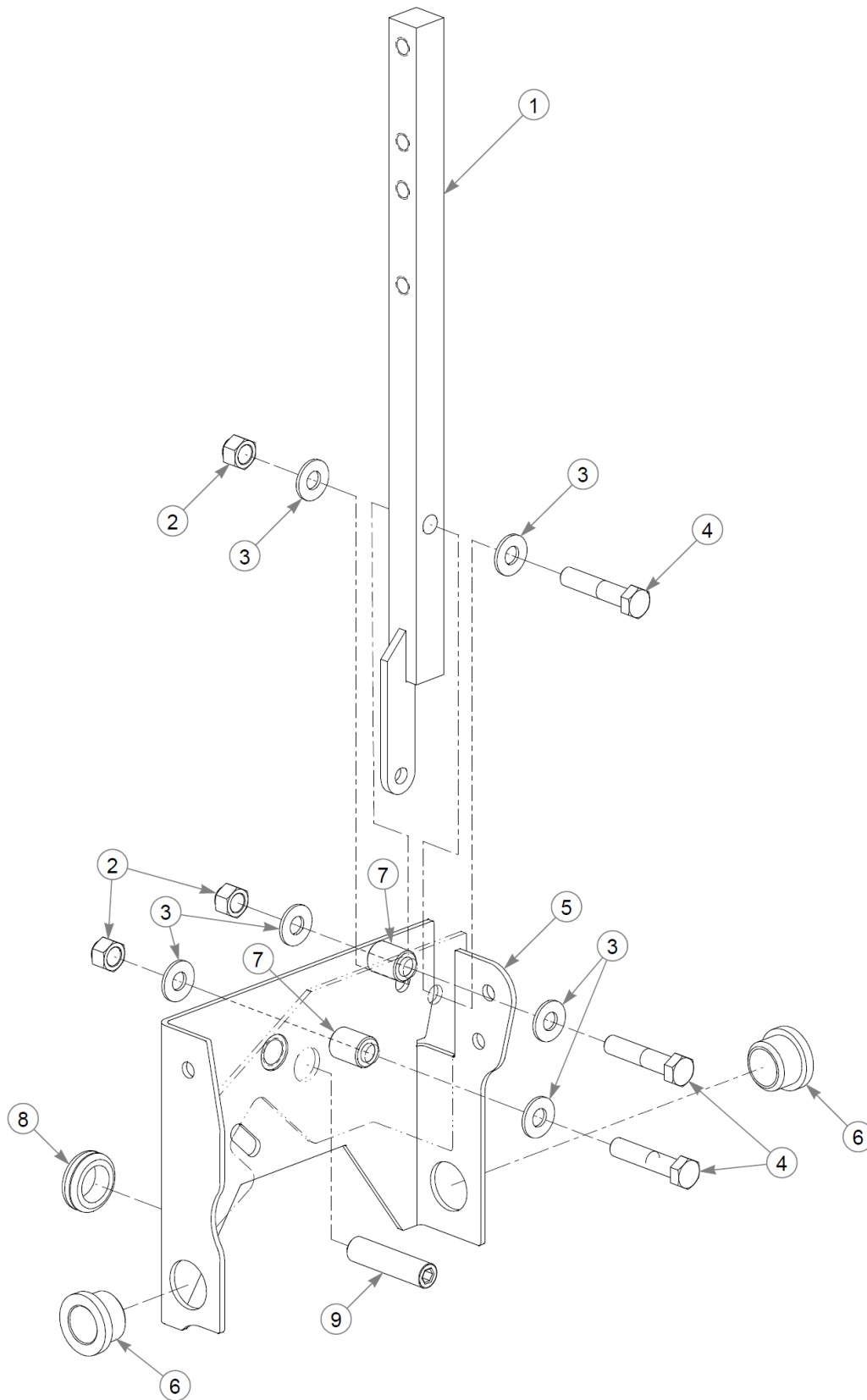


This page intentionally left blank





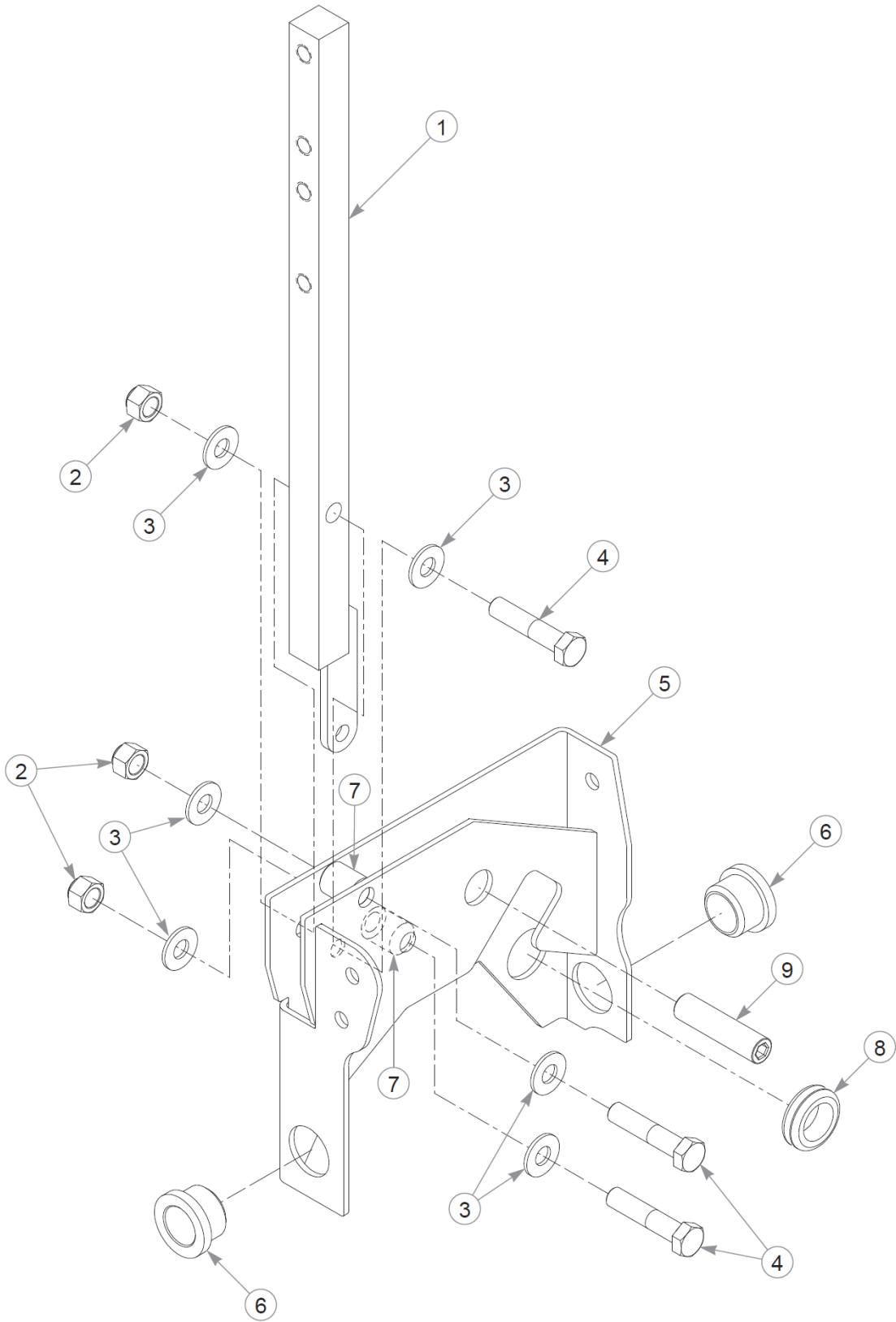
Item	Part No.	Qty	Name
1	604296	1	STEERING BOX SUB, LH
2	604295	1	STEERING BOX SUB, RH
3	034272	2	NT .312-18HXG5
4	768523	7	FW 0.343SAE
5	023655	2	NT 0.312-24 NL G8
6	781922	2	BALL STUD
7	712927	1	FW 0.344X1.00X.12 HD ZN
8	781286	2	PUMP ROD ADJUSTER ASSY
9	115080	1	STEERING COVER W/A, HDZ
10	608000	2	BUSHING
11	784439	2	LOCK COLLAR,0.757 ID(FS)
12	778399	2	FW .781X1.38X.25 ZN
13	108813	1	STEER PIVOT TUBE
14	053199	2	NT .500-13JAMG5
15	603055	2	SS .500-13X 2.50 SH ZN
16	080358	1	GM .50X1.00X.75X.12
17	722199P	1	POLYURETHANE 2" FS - 1 FT



Item	Part No.	Qty	Name
1	607152	1	STEERING ARM W/A
2	086660	3	NT .375-16NLG8
3	767954	6	FW 0.379X.82X.06 HD ZN
4	705178	3	CS .375-16X1.750HXG5
5	112898	1	STEERING BOX W/A, RH
6	608000	2	BUSHING
7	348862	2	STEERLEVER BUSHING (PLA
8	047456	1	GM .750X.188X1.00X.12
9	797738	1	SS .500-13X2.000SH

Comments for Page: RS Steering Box Assembly

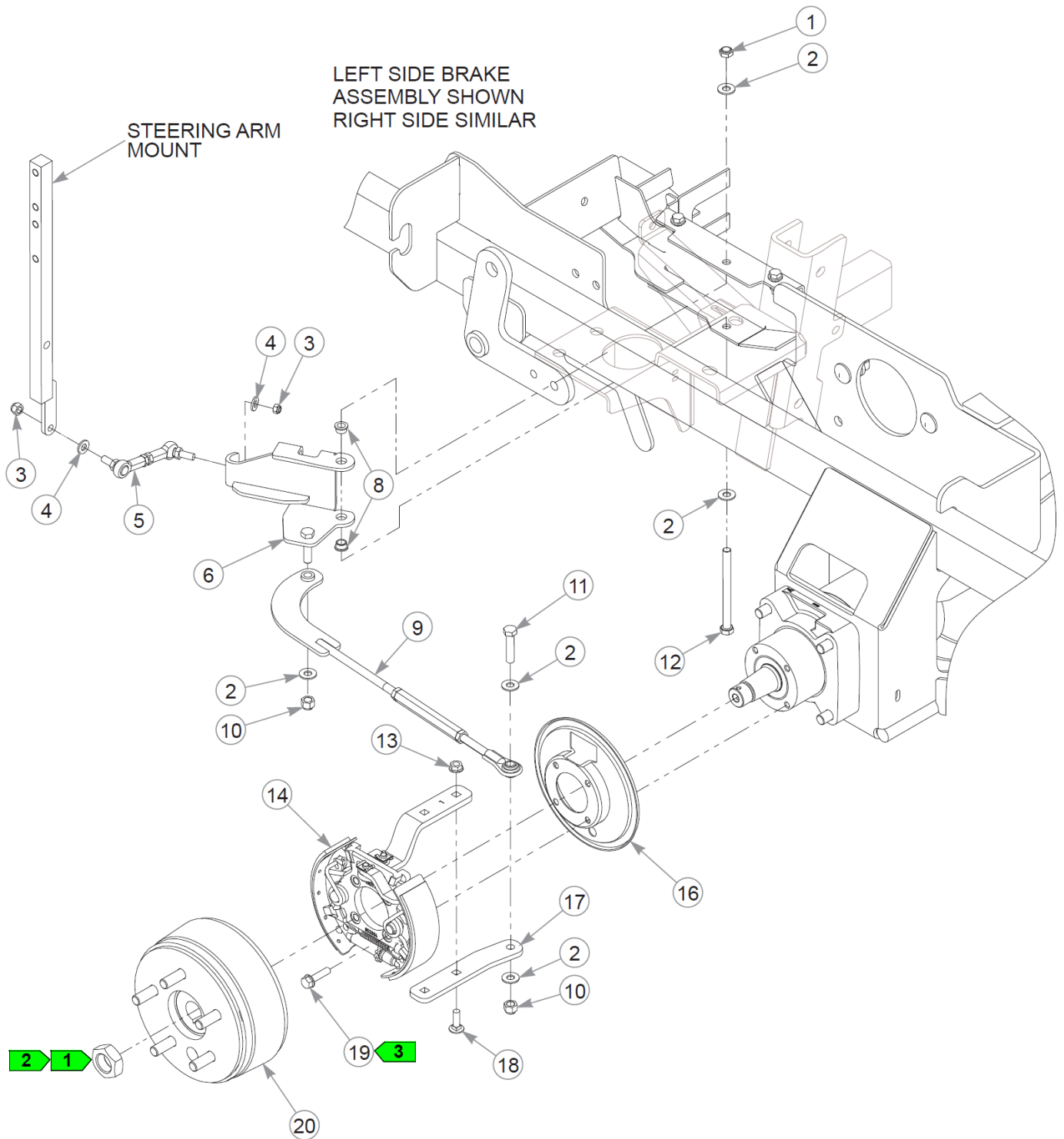
1. Torque all hardware to 33 ft-lbs ± 10%.



Item	Part No.	Qty	Name
1	607152	1	STEERING ARM W/A
2	086660	3	NT .375-16NLG8
3	767954	6	FW 0.379X.82X.06 HD ZN
4	705178	3	CS .375-16X1.750HXG5
5	112899	1	STEERING BOX W/A LH
6	608000	2	BUSHING
7	348862	2	STEERLEVER BUSHING (PLA
8	047456	1	GM .750X.188X1.00X.12
9	797738	1	SS .500-13X2.000SH

Comments for Page: LS Steering Box Assembly

1. Torque all hardware to 33 ft-lbs ± 10%.



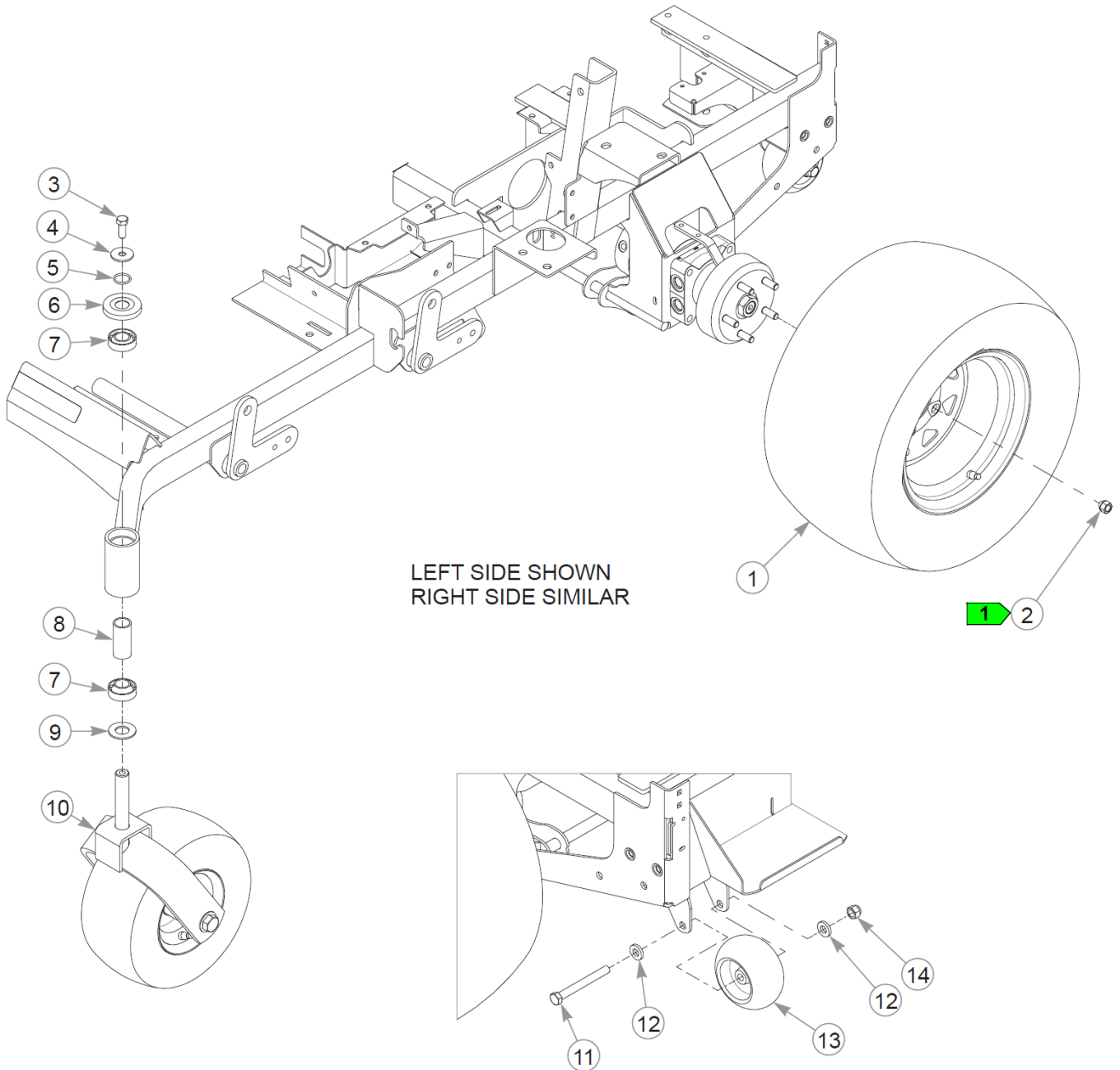
Brake

Item	Part No.	Qty	Name
1	603846	2	NT .375-16 HX NL JAM ZN
2	767954	10	FW 0.379X.82X.06 HD ZN
3	023655	4	NT 0.312-24 NL G8
4	768523	4	FW 0.343SAE
5	781583	2	BRAKE ROD ASSEMBLY
6	126346-4	1	BELLCRANK W/A, LH
7	126347-4	1	BELLCRANK W/A, RH
8	765339	4	BUSHING,IGUS#0608 (FS)
9	607952	2	TURNBUCKLE ASSY
10	086660	4	NT .375-16NLG8
11	705160	2	CS .375-16X1.625HXG5
12	052514	2	CS .375-16X4.500HXG5
13	016832	4	NT .312-18FLKG5
14	607894	1	BRAKE ASSY, LH
15	607895	1	BRAKE ASSY, RH
16	607896	2	DUST SHIELD
17	126349-3	2	EXTENSION, BRAKE ARM
18	037887	4	CB .312-18X 1.000 FUL ZN
19	607328	8	CS .312-18X1.25HXG8 FL
20	607893	2	DRUM HUB ASSEMBLY

Comments for Page: Brake

1. Included with the wheel motor.
2. Torque to 298–325 N•m.
3. Torque to 37 N•m.

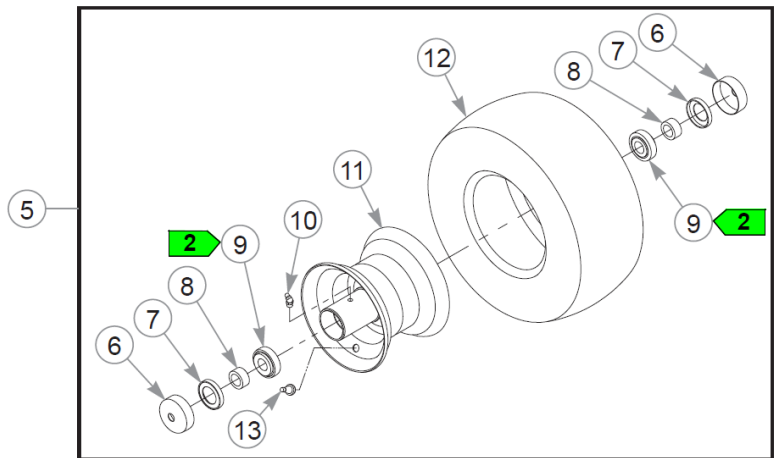
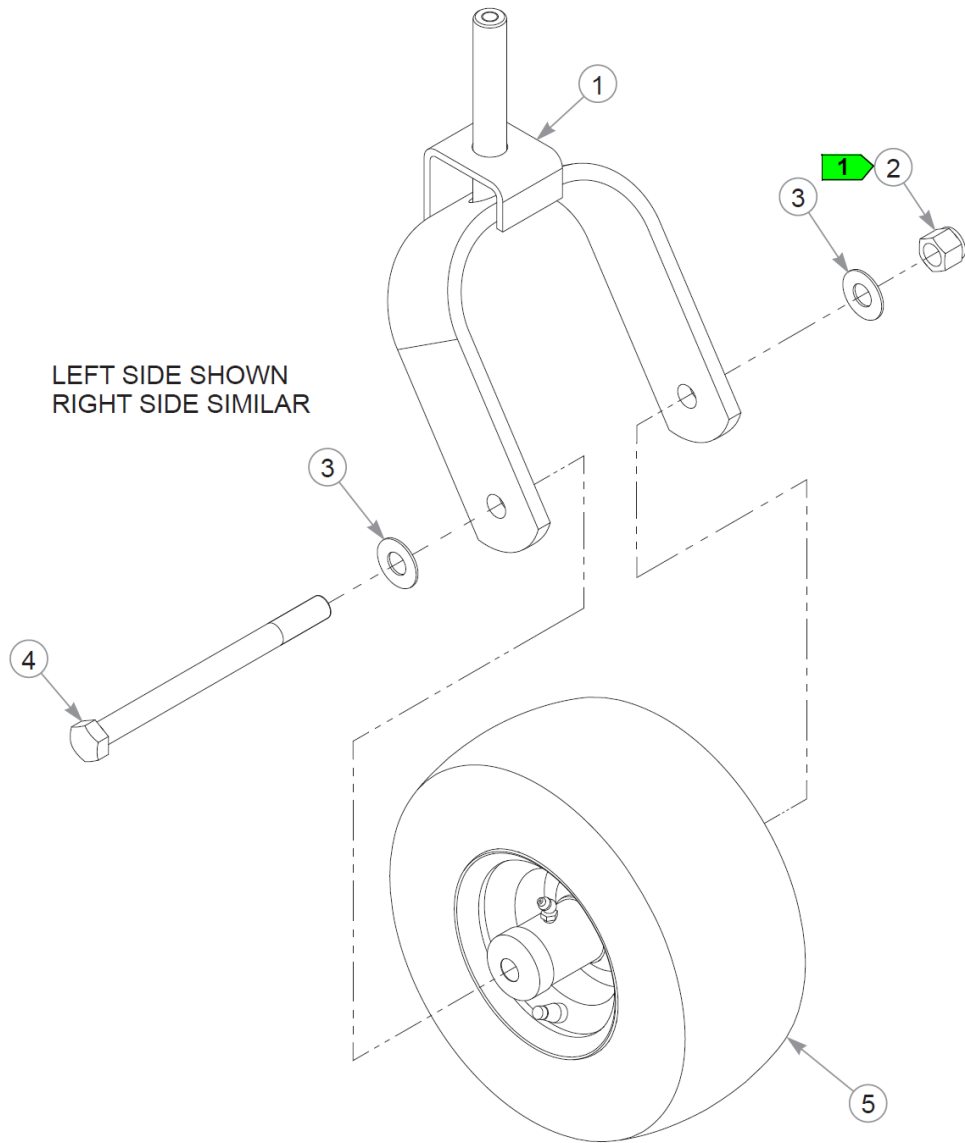




Item	Part No.	Qty	Name
1	607535	2	TIR/WHL 24X12.00-12 BLK
2	061077	10	WHEEL NUT
3	705954	2	CS .500-13X1.25 HX G5 ZN
4	798603	2	FW .515X1.65X.12 HD ZN
5	601375	2	O-RING, SAE-14
6	603153	2	DUST CAP, SZ CASTER
7	784223	4	BEARING
8	387035	2	SPACER, 1.07x1.312x2.79
9	603164	2	BEARING DISC, FORK
10	N/A	2	REFER TO "FRONT WHEEL ASSEMBLY"
11	068239	2	CS .500-13X4.500HXG5
12	767962	4	FW .531 x 1.063 x .175
13	031997	2	ANTI-SCALP WHEEL
14	781567	2	NT .500-13NLG5

Comments for Page: Wheels & Tires

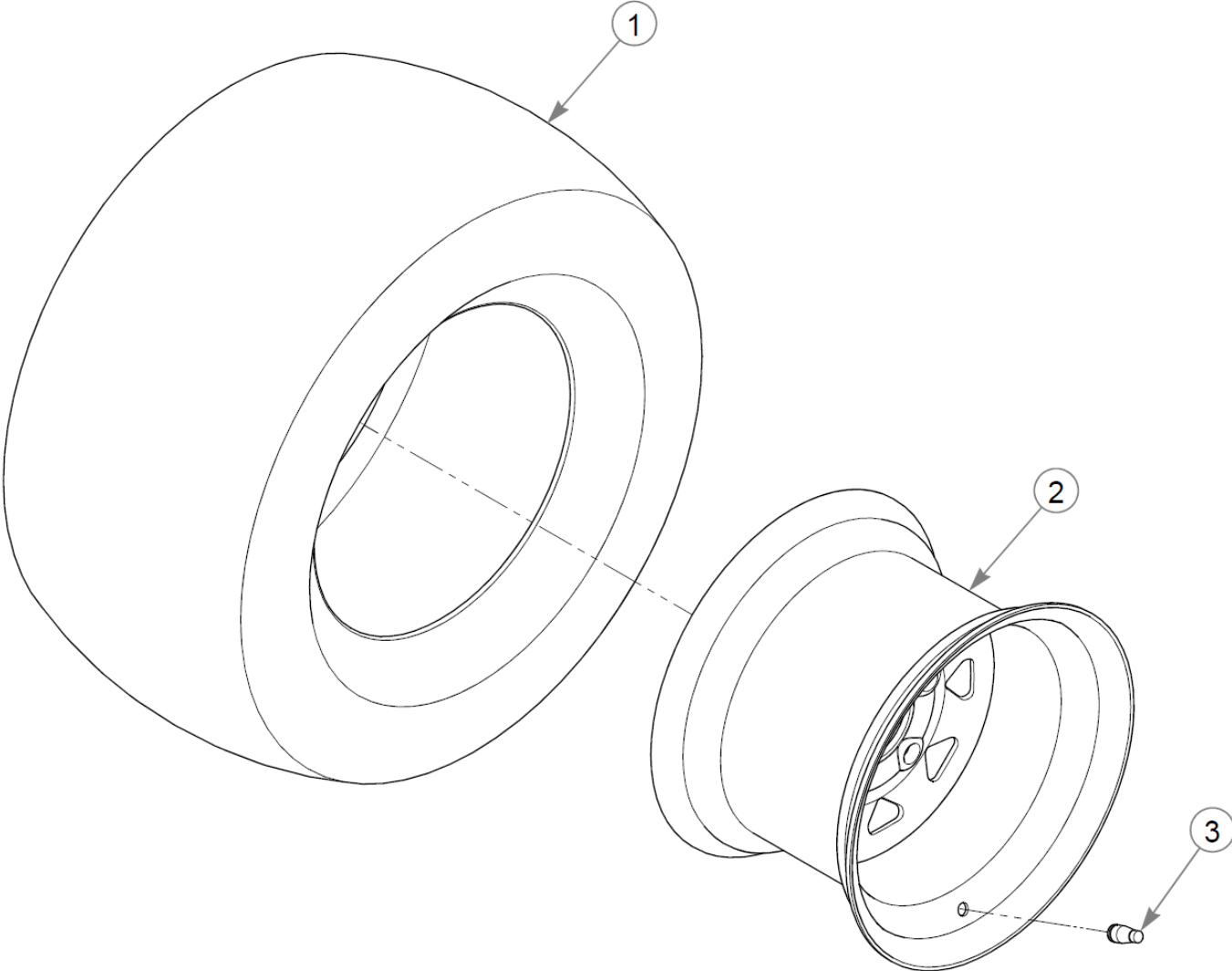
1. Torque to 88–102 N•m.



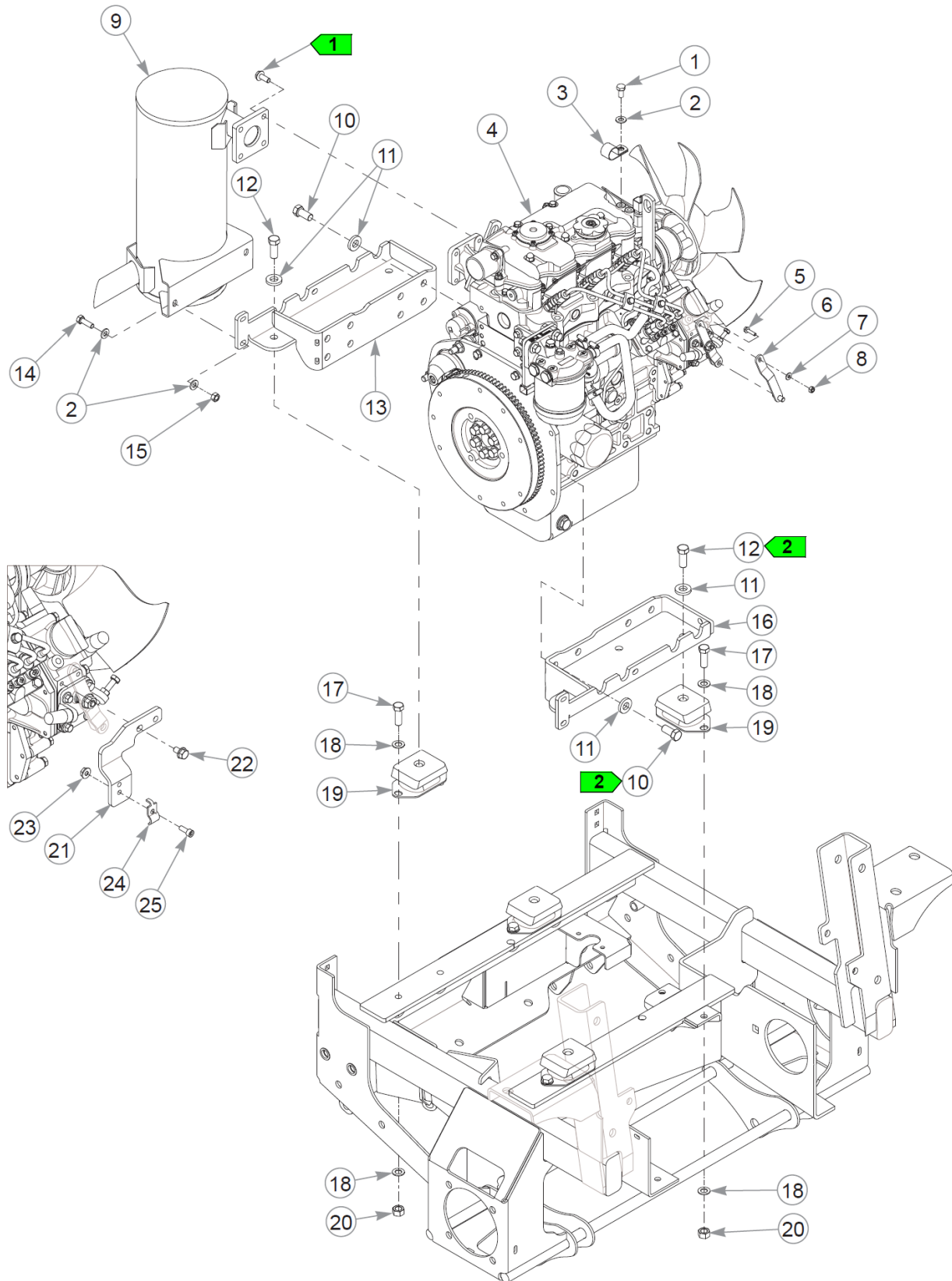
Item	Part No.	Qty	Name
1	113621	1	FORK W/A, STANDARD
2	061101	1	NT .750-10 HX ZN NL GR B
3	025296	2	FW .760X1.63X0.08 ZN
4	041475	1	CS .750-10X9.50 HX G5 ZN
5	606745	1	TIR/WHL 13X6.50-6 BLK
6	606779	2	DUST CAP, 0.502 ID
7	606780	2	SEAL
8	606778	2	SPACER, 0.531
9	606753	2	BEARING, TAPERED ROLLER
10	606126	1	GREASE FITTING, M8X1.0
11	606752	1	WHL 6X4.50 BLK
12	604843	1	TIR 13X6.50-6 B4R SMTH
13	019521	1	TIRE VALVE TR-412 GOODY

Comments for Page: Front Wheel Assembly

1. Tighten, then back off the nut until the wheel spins freely.
2. Refer to the General Service Manual for wheel bearing service procedures.

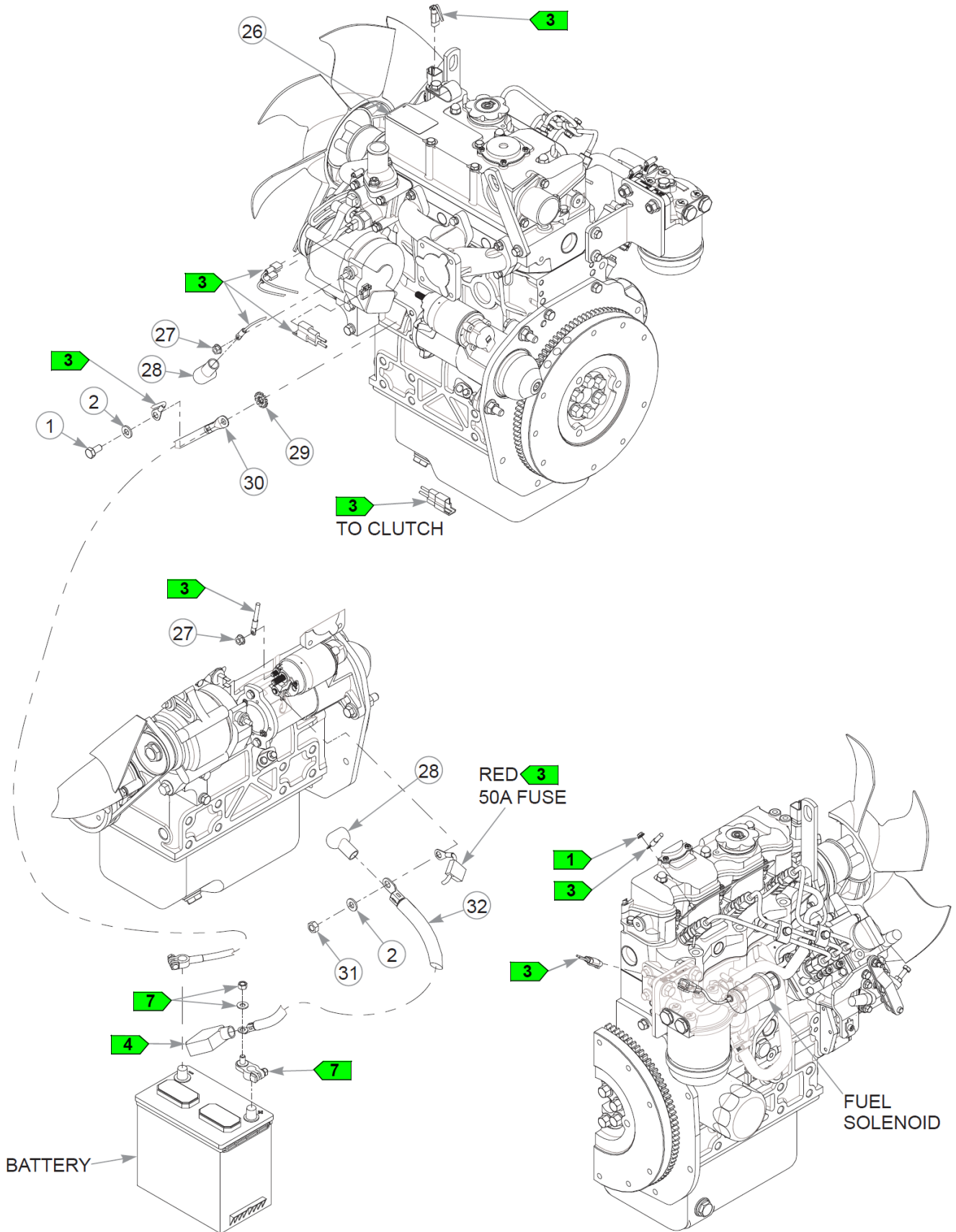


Item	Part No.	Qty	Name
1	606967	1	TIR 24X12.00-12 B4R GRMR
2	607536	1	WHL 12X8.50 5X4.5 BLK
3	019521	1	TIRE VALVE TR-412 GOODY

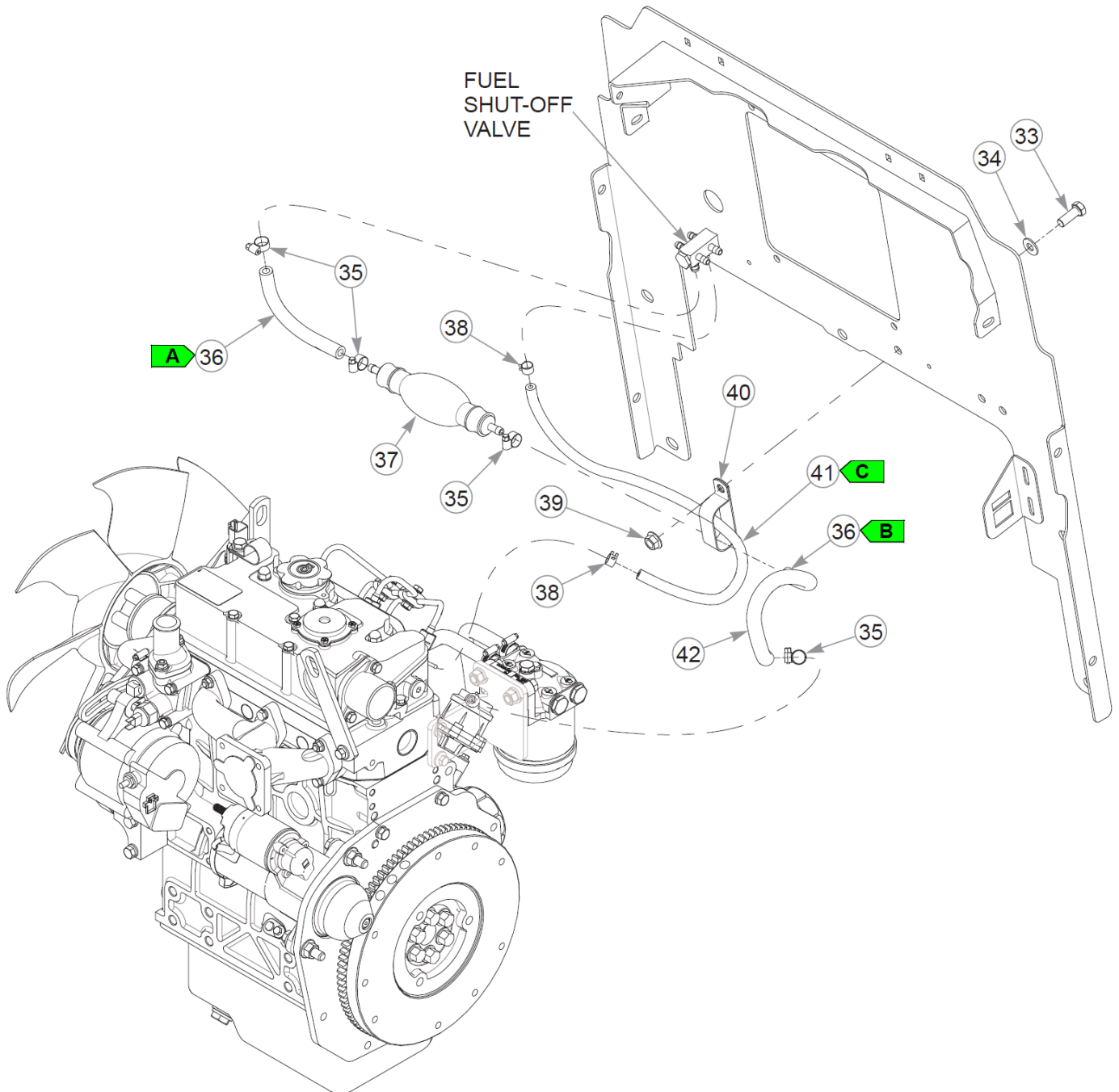


This page intentionally left blank





This page intentionally left blank



Item	Part No.	Qty	Name
1	053678	2	CS M8-1.25X16HXG8.8
2	768523	7	FW 0.343SAE
3	043570	1	CLIP - HOSE - SINGLE(FS)
4		1	ENG, 403J-11 DSL
5	063198	1	CS #10-24X0.750FLKG5
6	126940-4	1	PIN WA
7	704932	1	FW 0.219X.50X.05 ZN
8	059832	1	NT #10-24 HX NL ZN
9	601361	1	MUFFLER, ISM S773L HDZ
10	601428	16	CS M12-1.25 X 25 ZN
11	767962	20	FW .531 x 1.063 x .175
12	602196	4	CS M12-1.75 x 30 G8.8 ZN
13	126308-1	1	SUPPORT WA - ENGINE
14	036236	2	CS .312-18X1.000HXG5
15	034272	2	NT .312-18HXG5
16	126305-1	1	SUPPORT WA - ENGINE
17	773242	8	CS .437-14X1.250HXG5
18	704742	16	FW 0.453X.81X.06 ZN
19	601958	4	ISO MOUNT, HD STABLE
20	041707	8	NT .437-14HXG5
21	126950-1	1	SUPPORT - THROTTLE CABLE
22	739144	2	CS M6-1.00X12HXG10.9
23	016774	1	NT #10-24 HXFLK ZN
24	011841	1	CONDUIT CLIP
25	794495	1	CS 10-24 X .500 SKTHD Z
26	606453	1	DECAL, CAUTION
27	005231	2	NT M6-1.00FLG
28	601319	2	POS. BATTERY CABLE BOOT
29	029876	1	LW .312 INTEXT ZN
30	601540	1	CABLE, NEG 12" POST/STUD
31	045336	1	NT M8X1.25 HX GR8.8 ZN
32	608025	1	BATTERY - POSITIVE
33	036244	1	CS .375-16X1.00 HX G5 ZN
34	767954	1	FW 0.379X.82X.06 HD ZN
35	601693	4	HOSE CLAMP, 1/4" - 5/8"

This page intentionally left blank

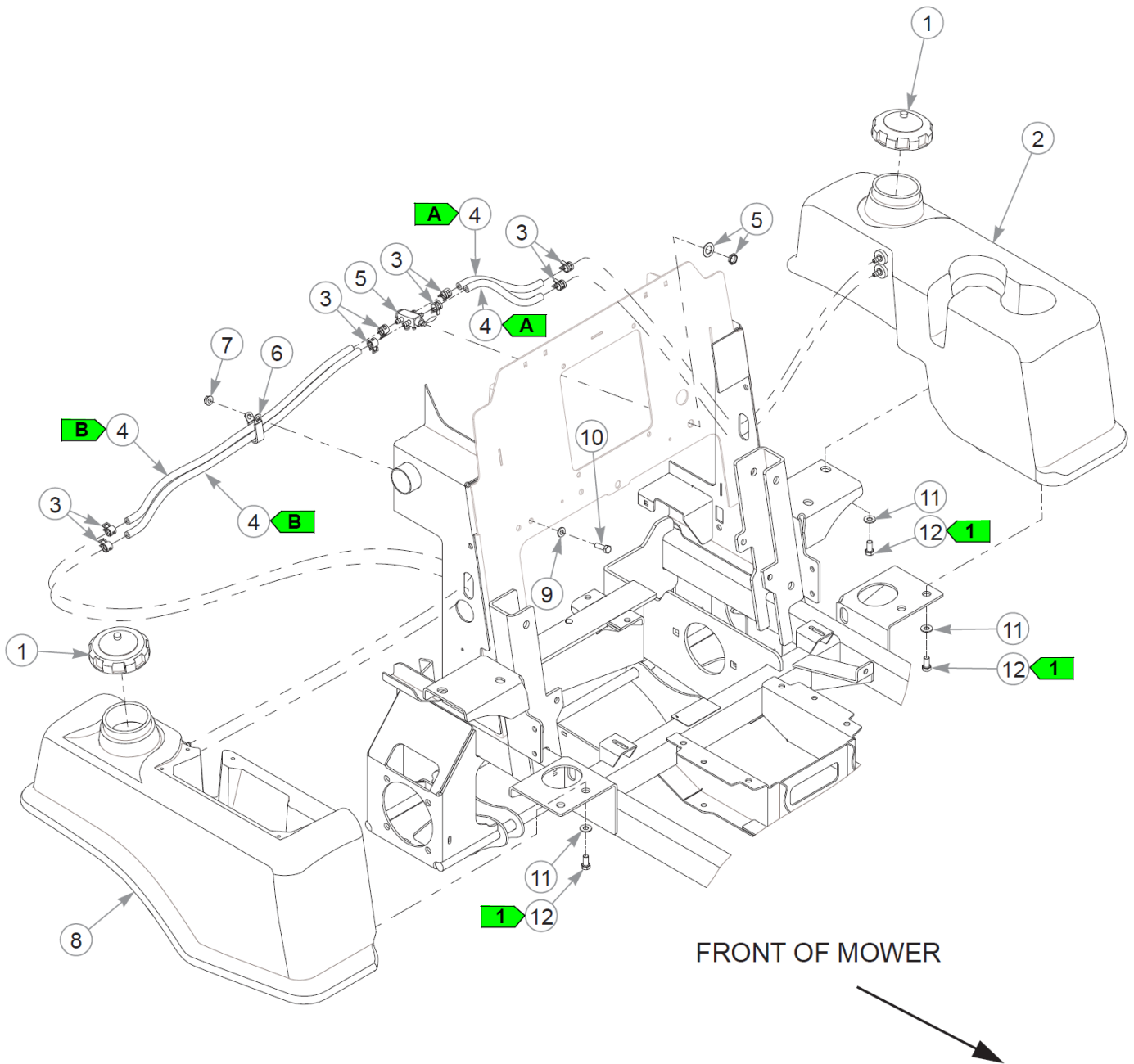
Item	Part No.	Qty	Name
36	791400P	1	FUEL LINE, 5/16" - 5 FT
37	601378	1	FUEL PRIMER BULB, 5/16"
38	603112	2	CLAMP, 3/16 FUEL
39	016899	1	NT .375-16 FLKG5
40	045088	1	HOSE CLAMP 1" (FS)
41	603326P	1	VAPOR LINE, 3/16" - 7 FT
42	608365	1	SLEEVE - ABRASIVE RESIST

Comments for Page: Engine, Muffler & Battery (Multi-Page)

1. Supplied with the engine.
2. Torque to 87 N•m.
3. Part of the wire harness.
4. Included in the Battery Install.

FUEL LINE LENGTHS

- A: 15 cm SHUT-OFF VALVE TO PRIMER BULB
- B: 33 cm PRIMER BULB TO FUEL PUMP
- C: 58 cm FUEL RETURN TO SHUT-OFF VALVE



Item	Part No.	Qty	Name
1	798470	2	CAP, 3 1/2" YELLOW FUEL
2	603779	1	FUEL TANK, FENDER, LH
3	000323	8	CLIP, HOSE CLAMP
4	015818P	1	FUEL LINE, 1/4" - 6 FT
5	795542	1	FUEL VALVE SDZ
6	043646	1	CLAMP, CUSHIONED DOUBLE
7	016832	1	NT .312-18FLKG5
8	603778	1	FUEL TANK, FENDER, RH
9	768523	1	FW 0.343SAE
10	036236	1	CS .312-18X1.000HXG5
11	767954	8	FW 0.379X.82X.06 HD ZN
12	055822	8	CS .375-16X0.75 HX G5 ZN

Comments for Page: Fuel System

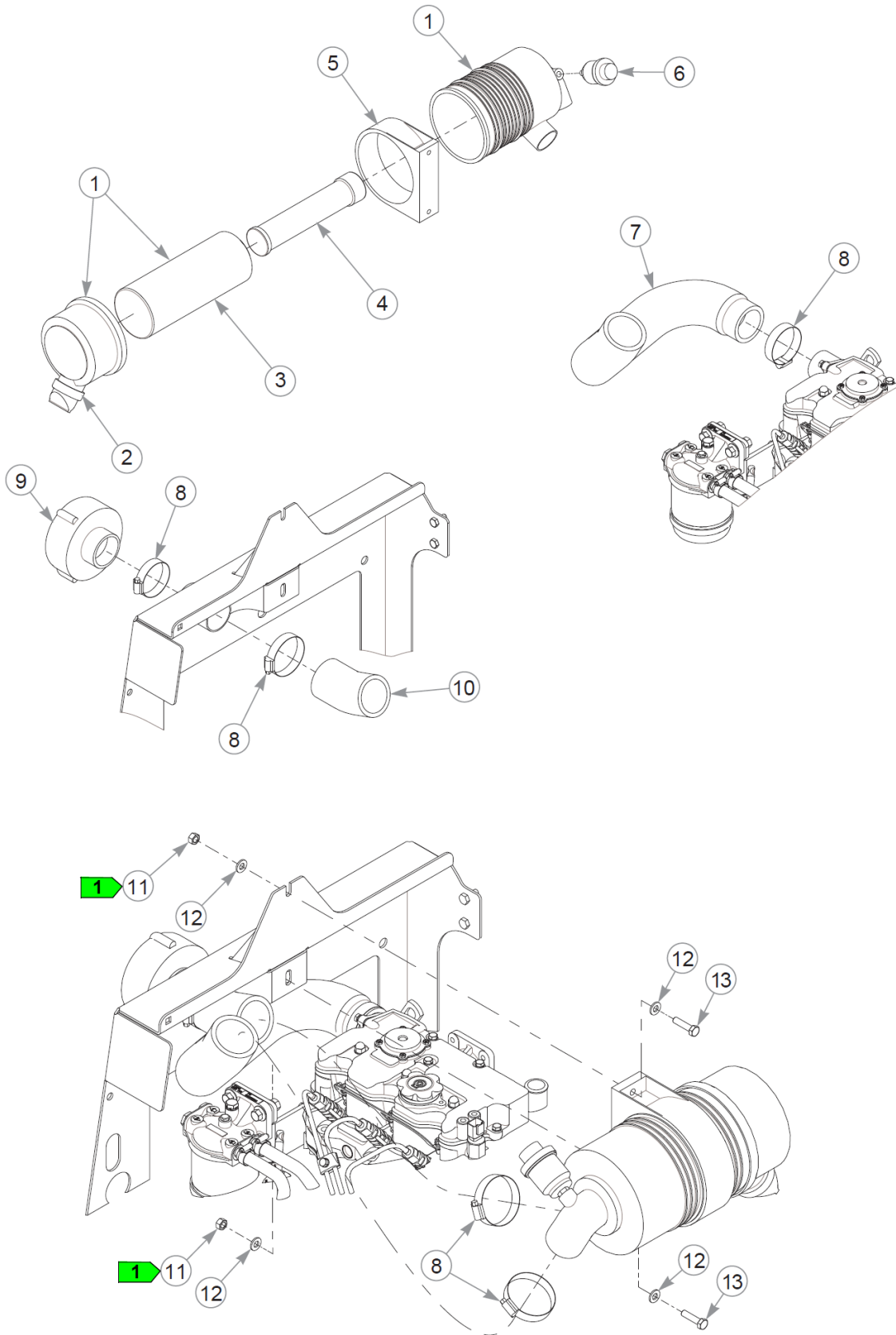
1. Torque to 27 N•m.

FUEL LINE LENGTHS

A: 27 cm LEFT TANK TO VALVE (FUEL)

B: 61 cm RIGHT TANK TO VALVE (FUEL)





Item	Part No.	Qty	Name
1	782763	1	AIR CLEANER, DONALDSON
2	763318	1	VALVE, VACUATOR
3	785261	1	AIR FILTER - MAIN
4	785279	1	AIR FILTER - SAFETY
5	785741	1	BAND, AIR CLEANER MOUNT
6	795138	1	AIR FILTER INDICATOR,25
7	601360	1	HOSE, INTAKE HDZ
8	057661	5	HOSE CLAMP (FS)
9	775353	1	ENGINE CENTRIFICAL PREC
10	601359	1	HOSE, FRESH AIR INTK HDZ
11	034272	2	NT .312-18HXG5
12	768523	4	FW 0.343SAE
13	079186	2	CS .312-18X1.250HXG5

Comments for Page: Air Cleaner

1. Torque to 16 N•m.



Item	Part No.	Qty	Name
1	016253	4	CB .312-18X .750 FUL ZN
2	601558	1	RADIATOR SUPPORT PAD
3	608040P	80"	RUBBER STRIP - 7 FT
4	606946	1	RADIATOR SUPPORT PAD
5	124556-1	1	RADIATOR BRACKET
6	608327	1	RADIATOR ASSEMBLY
7	768523	6	FW 0.343SAE
8	713198P	22"	SEAL 3/8x3/4 - 6 FT
9	126951-1	2	SUPPORT - RADIATOR
10	034272	4	NT .312-18HXG5
11	036236	2	CS .312-18X1.000HXG5
12	601358	1	BOTTLE, OVERFLOW RAD
13	601069	2	CN .312-18x.200 MAX THK
14	041483	1	HOSE CLAMP, 7/16 SPRING
15	713040	4	HOSE CLAMP
16	601353	1	HOSE, UPPER RADIATOR HDZ
17	601354	1	HOSE, LOWER RADIATOR HDZ

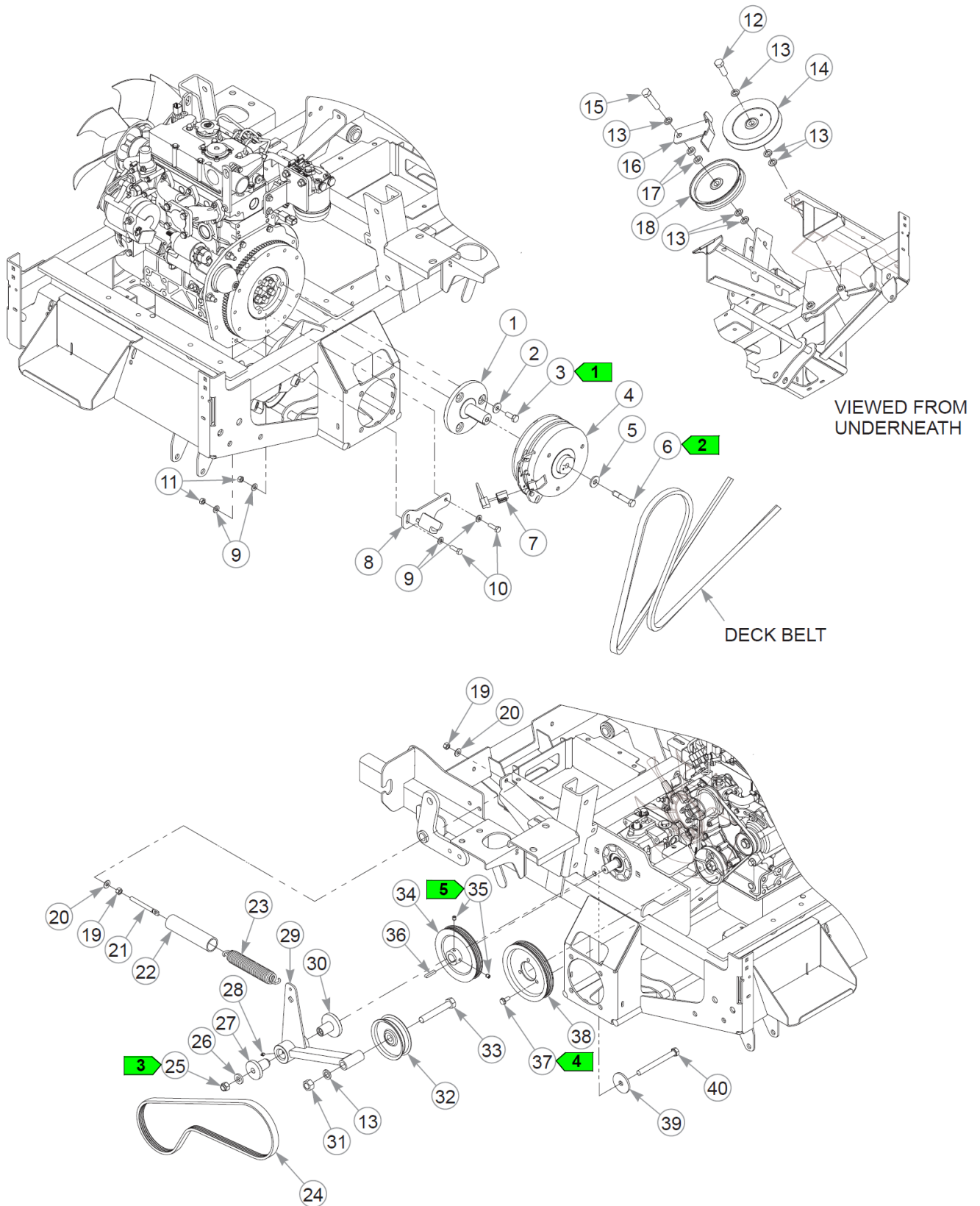
Comments for Page: Cooling System

1. Part of the Radiator A/C Support.
2. Included with the radiator.
3. The overflow bottle includes the cap.

#### WEATHERSTRIP & SEAL LENGTHS

A: 16.0"

B: 11.0"



Item	Part No.	Qty	Name
1	601279	1	STUB SHAFT, ISM 773
2	712919	3	FW 0.406X1.00X.12 HD ZN
3	038836	3	CS M10-1.50X25 HX ZN
4	601278K	1	CLUTCH KIT
5	602680	1	FW .453X1.12X.12 HRD ZN
6	778217	1	CS .437-20X2.250 HXG5P85
7	791251	1	HARNES, CLUTCH PIGTAIL
<p>Comments for Part Num. 791251</p> <p>Pigtail was updated with epoxy to hold the wires steady. The wire sheath was also updated to a more flexible material.</p>			
8	126311-1	1	CLUTCH ANCHOR WA
9	768523	4	FW 0.343SAE
10	036236	2	CS .312-18X1.000HXG5
11	034272	2	NT .312-18HXG5
12	025007	1	CS .62511X1.750HXG5
13	028118	7	FW 0.625X1.00X.13 ZN
14	796714	1	PULLEY, 6" HB IDLER RD
15	025015	1	CS .625-11X2.500HXG5
16	113088	1	BELT GUIDE, W/A
17	600296	2	SPACER, DECK IDLER
18	781385	1	PULLEY, IDLER NHI 6.00"
19	054502	2	NT .375-16HXG5
20	767954	2	FW 0.379X.82X.06 HD ZN
21	601486	1	EB, .375-16X3.00 FULTHD
22	601722	1	TUBE, 1.500 X .12W CLR
23	601016	1	IDLER SPRING
24	601424	1	BELT, 4 RIB "PVL"
<p>Comments for Part Num. 601424</p> <p>Belt design was a COG belt but has been changed to a smooth V-belt.</p>			
25	781567	1	NT .500-13NLG5
26	767962	1	FW .531 x 1.063 x .175
27	602879	1	BUSHING, IDLER PIVOT
28	015495	1	GREASE FITTING STRAIGHT
29	115117	1	IDLER ARM, W/A

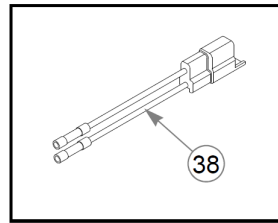
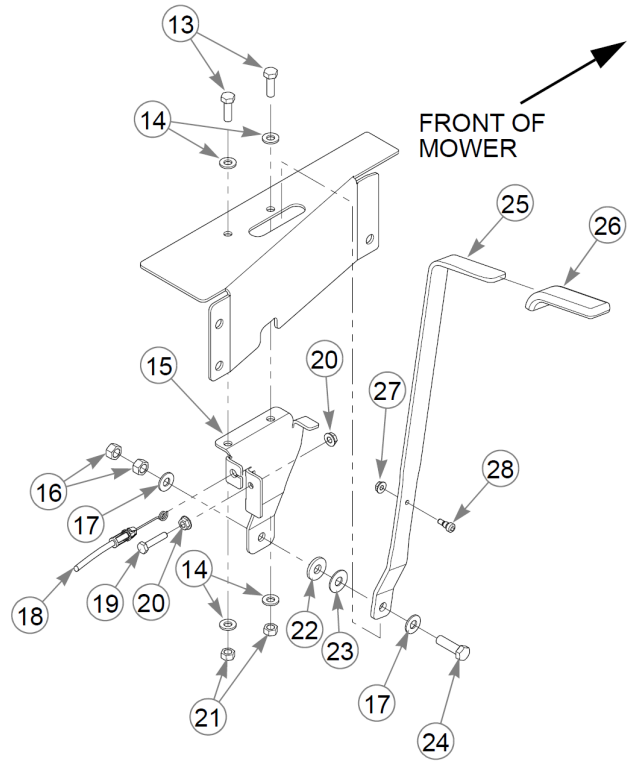
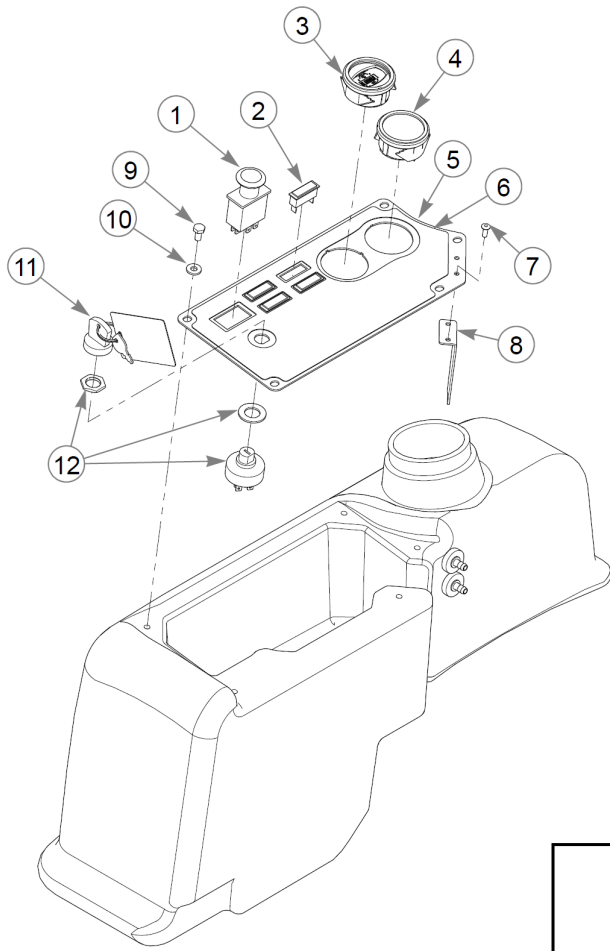
This page intentionally left blank

Item	Part No.	Qty	Name
30	602880	1	BUSHING, IDLER PIVOT
31	016972	1	NT .625-11 HX G5 ZN
32	601488	1	PULLEY, 4" FLAT IDLER
33	047712	1	CS .625-11X4.000HXG5
34	601422	1	PULLEY, 5.625" MICRO V
35	600122	2	SS .312-18 X .312 SH BO
36	601713	1	KEY, 1/4 X 1.375 LONG
37	720177	3	CS M8-1.25X20FLG10.9
38	601423	1	PULLEY, 6.0" MICRO V
39	344267	1	FW .510X2.15X.19 ZN
40	051151	1	CS .500-13X5.000HXG5

Comments for Page: Belt Drive & Clutch

1. Torque to 30 N•m.
2. Torque to 61–65 ft-N•m. Replace (do not reuse) the cap screw if it is removed or loosened. Use only hand tools to install this fastener.
3. Torque to 96–102 N•m. The idler arm tensioner must pivot freely.
4. Torque to 28 N•m.
5. Torque to 16–20 N•m.

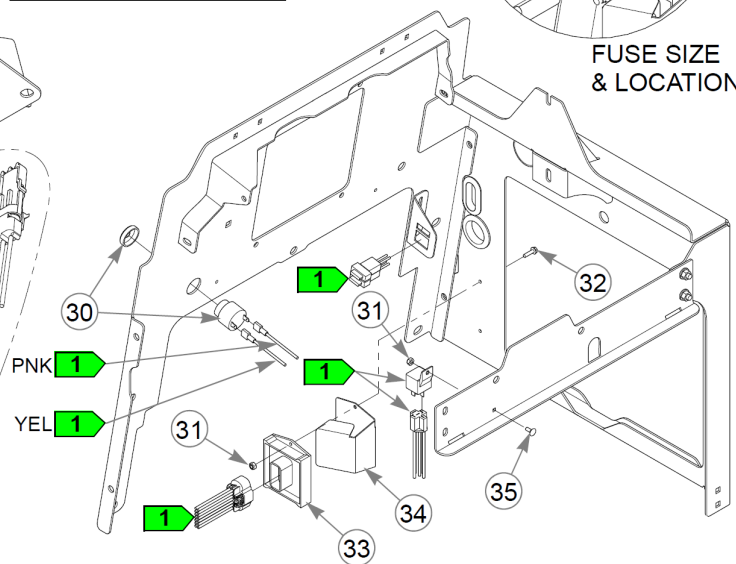
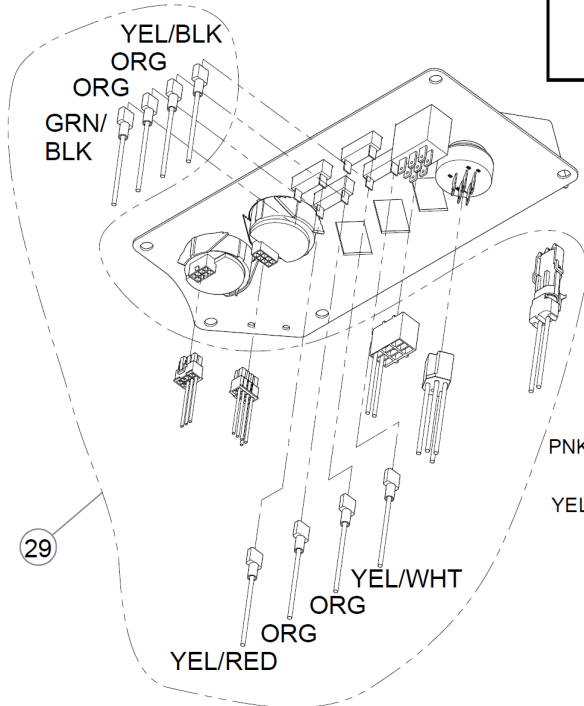




FIREWALL

15A  
25A

FUSE SIZE  
& LOCATION



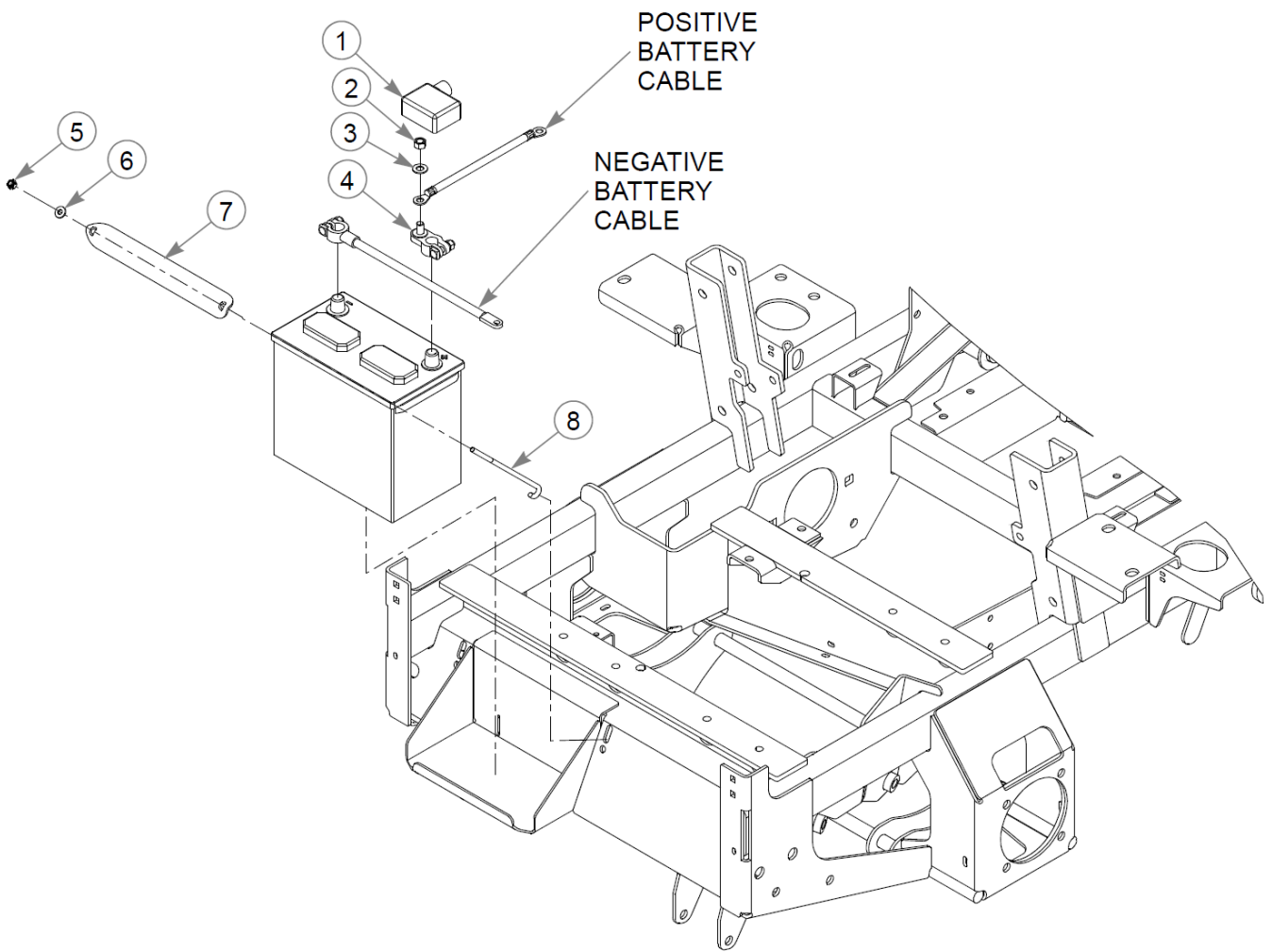
Item	Part No.	Qty	Name
1	776476	1	SWITCH, PTO 6201-321
2	712257	4	INDICATOR LIGHT, RED(FS)
3	607451	1	GAUGE, DUAL NEEDLE 12V
4	608270	1	GAUGE - TEMPERATURE
5	555783	1	SVC, INSTR PANEL
6	606412	1	DECAL, INST PANEL HDZ
7	601089	2	RIVET .188 DIA BLK HD
8	109729	1	COVER, HDZ FUEL TANK
9	055947	5	CS .250-20X0.50 HX G5 ZN
10	768515	5	FW 0.281SAE
11	785808	1	KEY ASSEMBLY
12	045898	1	IGNITION SWITCH
13	036236	2	CS .312-18X1.000HXG5
14	768523	4	FW 0.343SAE
15	126949-1	1	SUPPORT - THROTTLE LEVER
16	054502	2	NT .375-16HXG5
17	767954	2	FW 0.379X.82X.06 HD ZN
18	607980	1	THROTTLE CABLE
19	603968	1	CS .250-20X1.25 HX FLTRD
20	016816	2	NT .250-20FLKG5
21	034272	2	NT .312-18HXG5
22	712919	1	FW 0.406X1.00X.12 HD ZN
23	601507	1	FW .406X1.000X.06 NYLON
24	052860	1	CS .375-16X1.25 HX G5 ZN
25	126948-1	1	THROTTLE ARM
26	603830	1	GRIP, BLACK .18x.94x4.0
27	016774	1	NT #10-24 HXFLK ZN
28	601493	1	SB .250Dx.250L 10-24 ZN
29	607890	1	WIRE HARNESS
30	794347	1	ALARM, ULTRA LOUD WARBL
31	059832	3	NT #10-24 HX NL ZN
32	063198	2	CS #10-24X0.750FLKG5
33	601368	1	CONTROLLER, HDZ S773L
34	119556	1	MODULE COVER, HDZ
35	601098	1	CB 10-24 X .500 ZYNC

This page intentionally left blank

Item	Part No.	Qty	Name
36	000331	8	WIRE TIE, SMALL/SHORT
37	000430	3	WIRE TIE, SMALL/LONG
38	114052	1	KIT, CLUTCH CONN. REP.

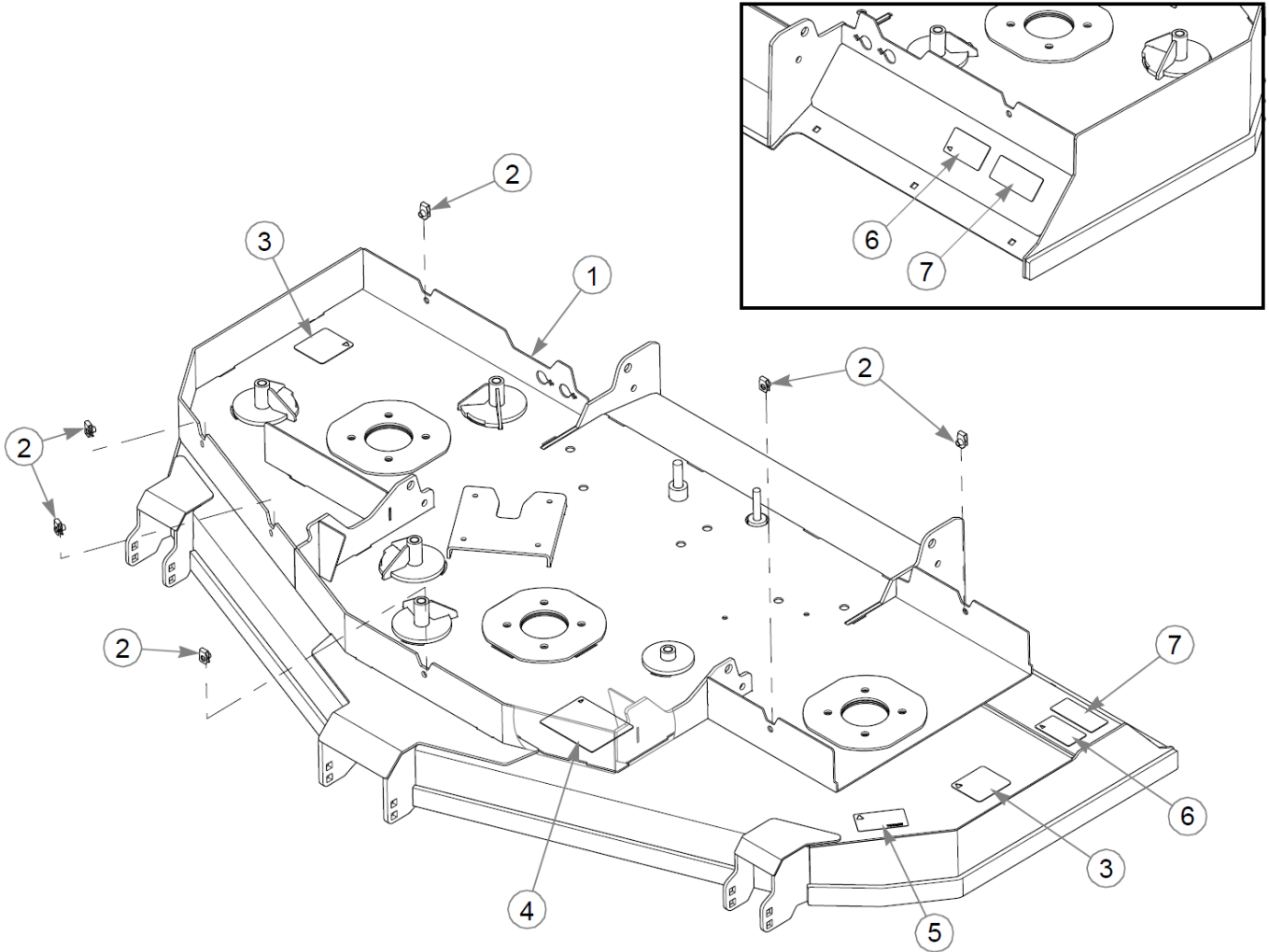
Comments for Page: Instrument Panel & Wire Harness

1. Part of the wire harness.
2. Tighten the hardware enough to create resistance in the throttle lever movement, so the throttle lever will maintain the operator's determined position during use. Tighten the nuts enough to lock the hardware in place.
3. Position the PTO switch as shown in the PTO switch detail. Tie the clutch hang tag decal to the PTO switch knob.



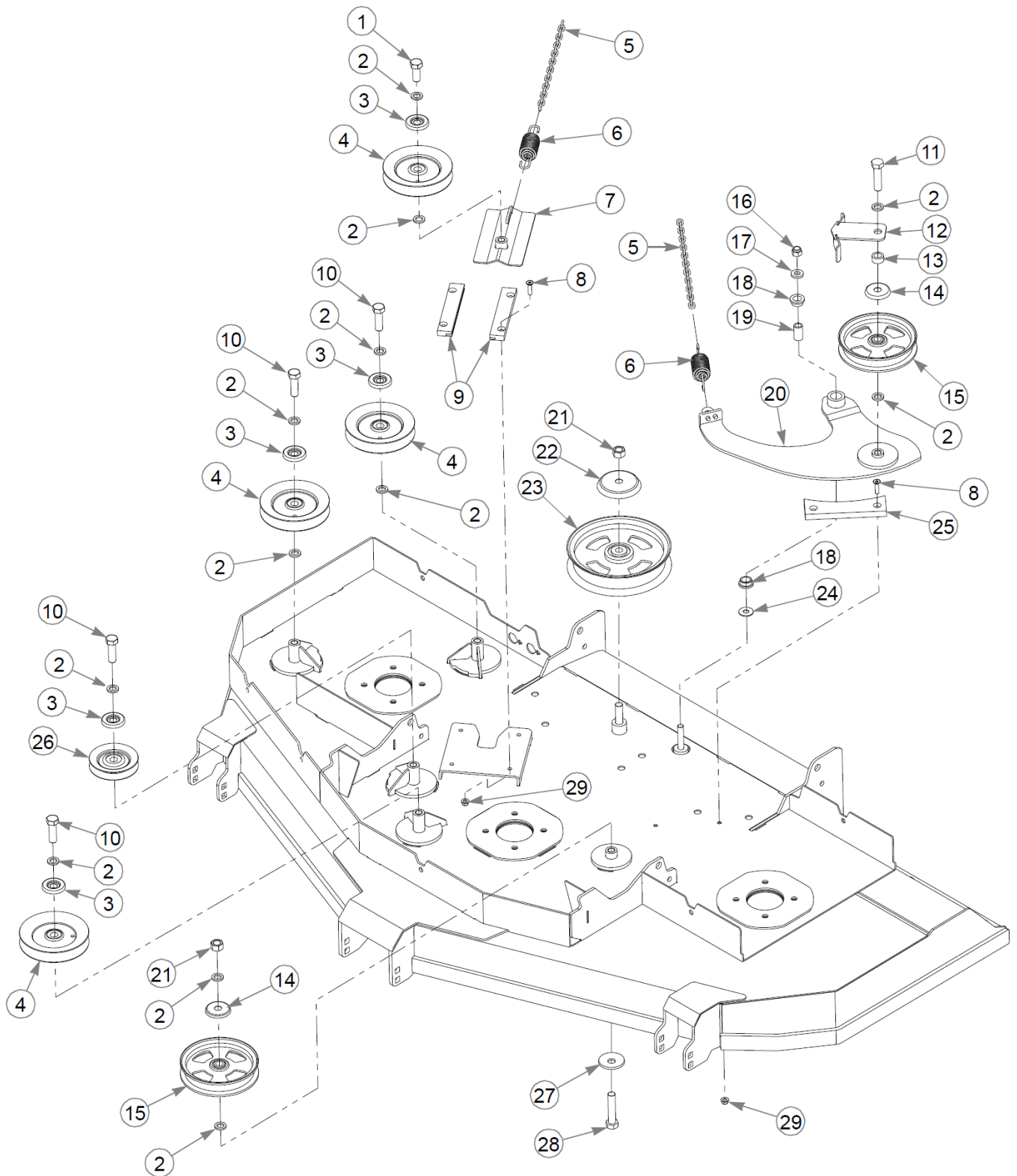
# Battery

Item	Part No.	Qty	Name
1	601381	1	BOOT, POSITIVE BATTERY
2	054502	1	NT .375-16HXG5
3	767954	1	FW 0.379X.82X.06 HD ZN
4	601380	1	POST, POS BAT MARINE
5	068551	2	NT .250-20 HXZY NL
6	768515	2	FW 0.281SAE
7	109108	1	CLAMP, BATTERY HOLDDOWN
8	793489	2	BATTERY CLAMP ROD
9	000331	1	WIRE TIE, SMALL/SHORT

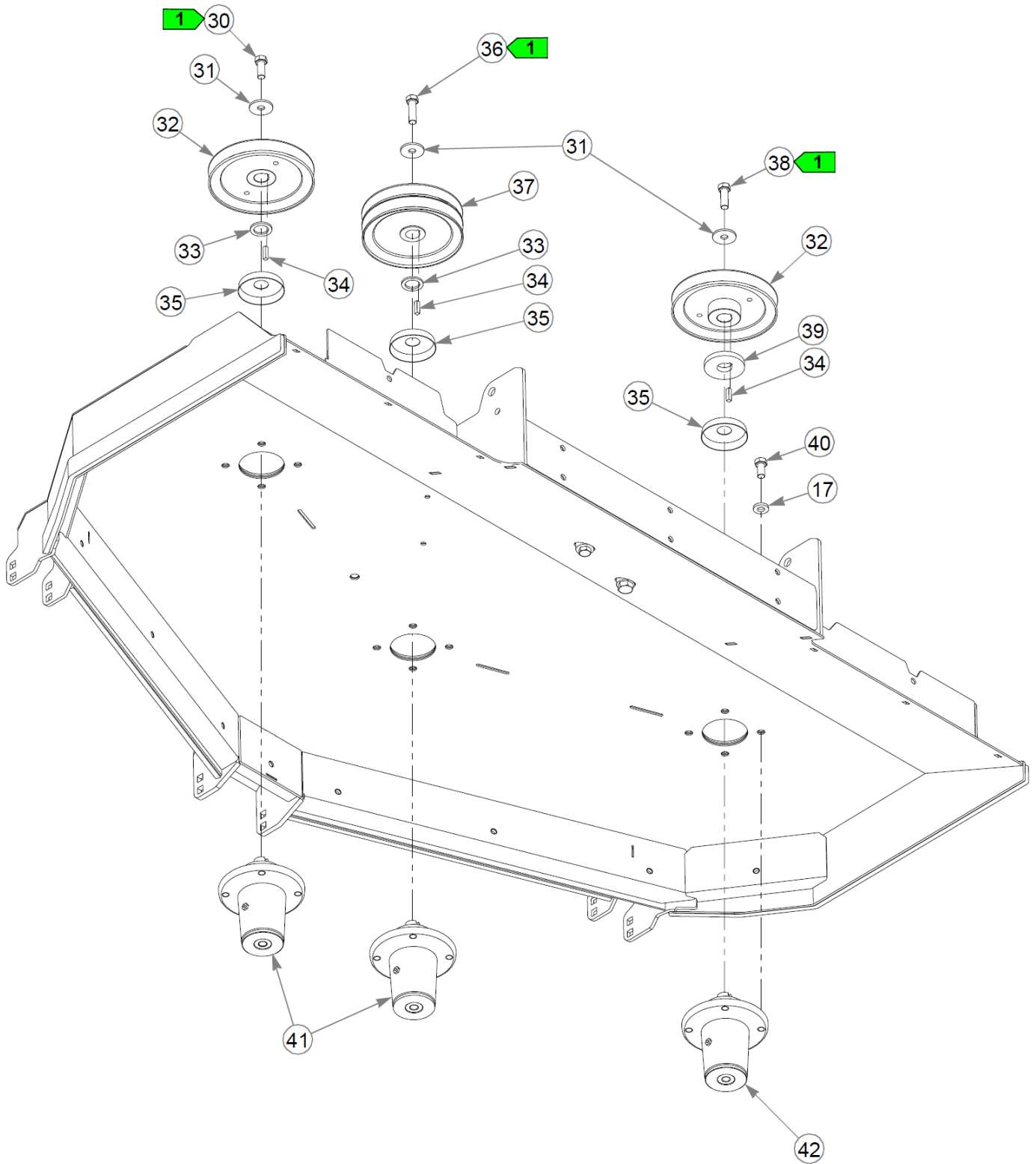


Item	Part No.	Qty	Name
1	556540	1	SVC, DECK 72" RD
2	601069	6	CN .312-18x.200 MAX THK
3	601837	2	DECAL, DECK DANGERS
4	603349	1	DECAL, 2 BELT ROUTING
5	786285	1	DECAL, 72 DECK ID
6	603391	2	DECAL, RUBBER FLAP
7	601892	2	DECAL, THROWN OBJECTS





This page intentionally left blank



## Deck Pulleys &amp; Spindles

72" Diesel Z Parts Manual - 943266CE -  
HTHDZR072PER403J-11C

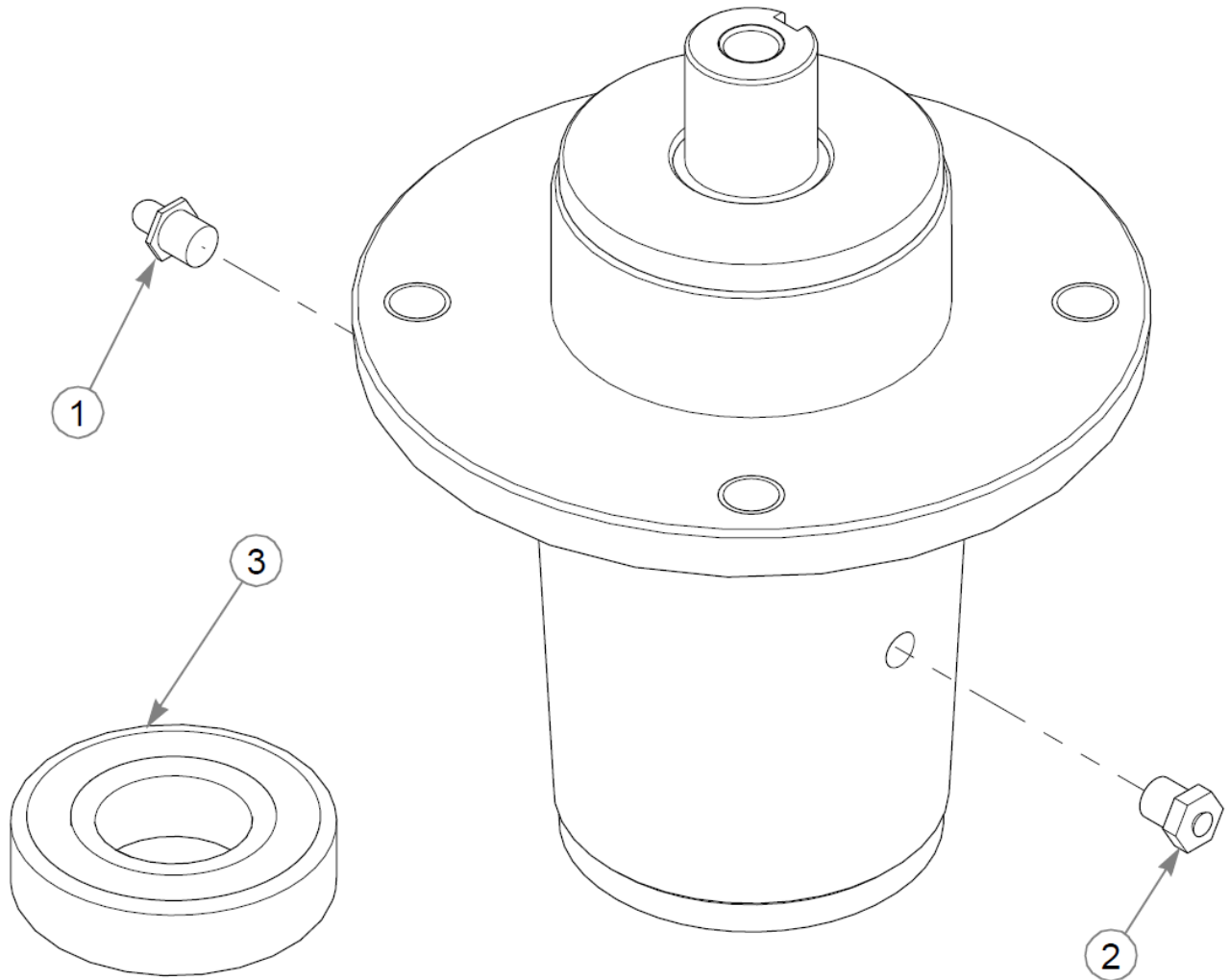
Item	Part No.	Qty	Name
1	794446	1	CS .625-11X1.500HXG5
2	028118	12	FW 0.625X1.00X.13 ZN
3	603057	5	DUST SHIELD W/OFFSET
4	602672	4	PULLEY, V-IDLER HBB 5.0"
5	373191	2	CHAIN, 21 LINK
6	781302	2	IDLER SPRING
7	114105	1	IDLER SLIDE W/A
8	784199	6	CS .312-18X1.250 FLT SH
9	601619	2	IDLER SLIDE UHMW RT & LT
10	016642	4	CS .625-11X2.000HXG5
11	025015	1	CS .625-11X2.500HXG5
12	113088	1	BELT GUIDE, W/A
13	603256	1	SPACER DECK IDLER 1/2"LG
14	608144	2	SHIELD, DUST
15	602821	2	IDLER, 6.0" COMMERCIAL
16	781567	1	NT .500-13NLG5
17	767962	13	FW .531 x 1.063 x .175
18	770867	2	BUSHING, PLAS .750x1(FS)
19	109549	1	BUSHING, IDLER PIVOT
20	114133	1	IDLER ARM W/A, RD DECK
21	016972	2	NT .625-11 HX G5 ZN
22	602963	1	DUST SHIELD, IDLER LG
23	602838	1	IDLER, 8.0" COMMERCIAL
24	704759	1	FW 0.500X1.25X.08 ZN
25	601779	1	IDLER GUIDE, UHMW
26	788364	1	IDLER PULLEY, NHI 4.288"
27	782474	1	CW .678 X 2.250 X .187
28	783738	1	CS .625-11X3.000HXG5
29	608059	6	NT 0.312-18 FL NY G5
30	705954	1	CS .500-13X1.25 HX G5 ZN
31	752386	3	CW .505 X 1.625 X .140
32	602745	2	PULLEY, DRIVE 7.00 EFF
33	045765	2	FW 1.030X1.50X.13 HD ZN
34	212472	3	KEY 1/4 SQ X 1.00 LG(FS)
35	607409-4	3	DUST SHIELD

This page intentionally left blank

Item	Part No.	Qty	Name
36	017616	1	CS .500-13X1.750HXG5
37	770388	1	PULLEY, PTED
38	074252	1	CS .500-13X1.50 HX G5 ZN
39	114108	1	SPACER 3/8" THICK
40	016527	12	CS .500-13X1.000HXG5
41	607407	2	SPINDLE ASSY, DUCTILE
42	607408	1	SPINDLE ASSY, DUCTILE

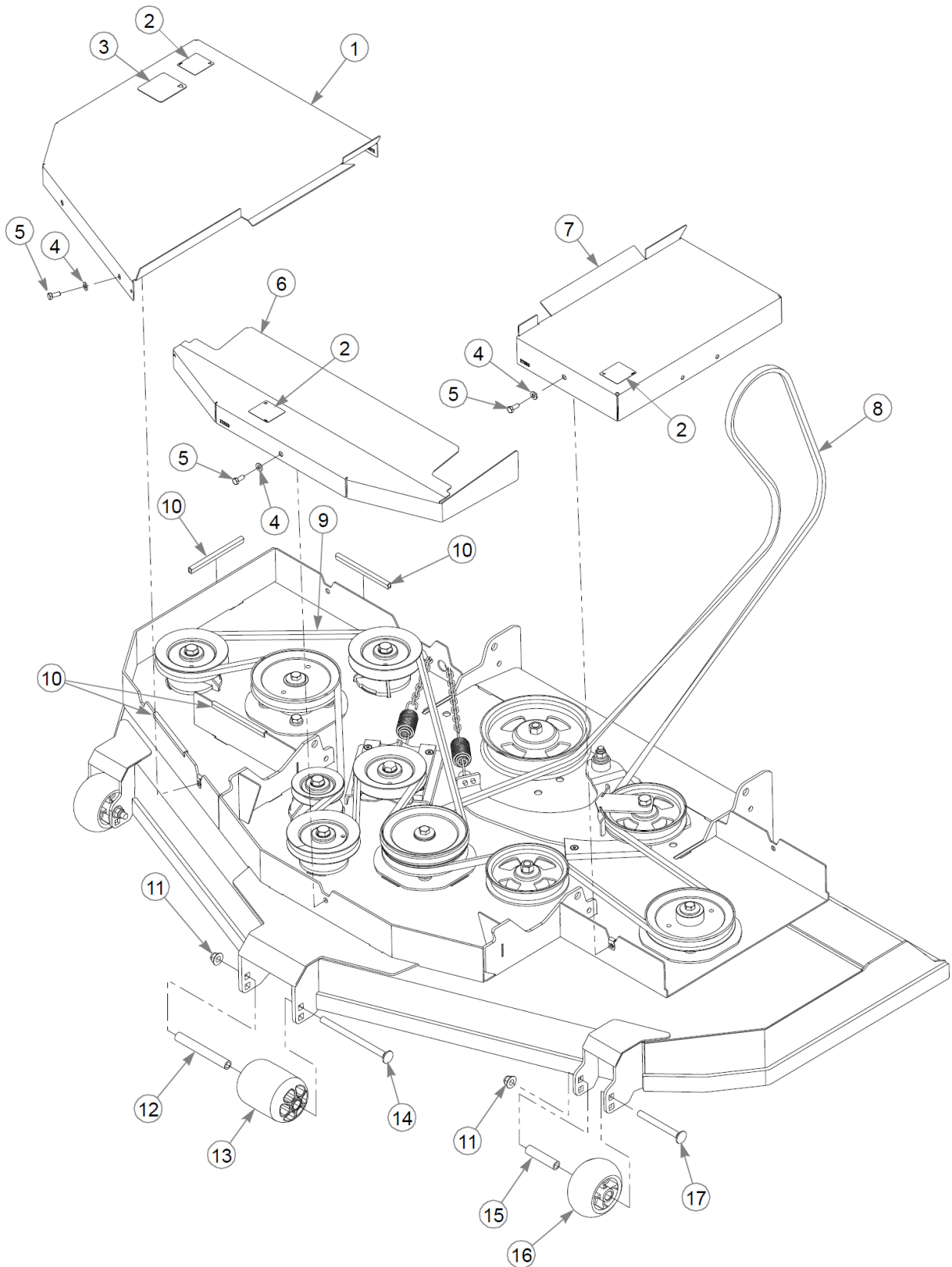
Comments for Page: Deck Pulleys & Spindles

1. Torque to 65–75 ft-lbs.



Item	Part No.	Qty	Name
1	607477	1	GREASE ZERK
2	607478	1	RELIEF FITTING
3	607955	2	BEARING





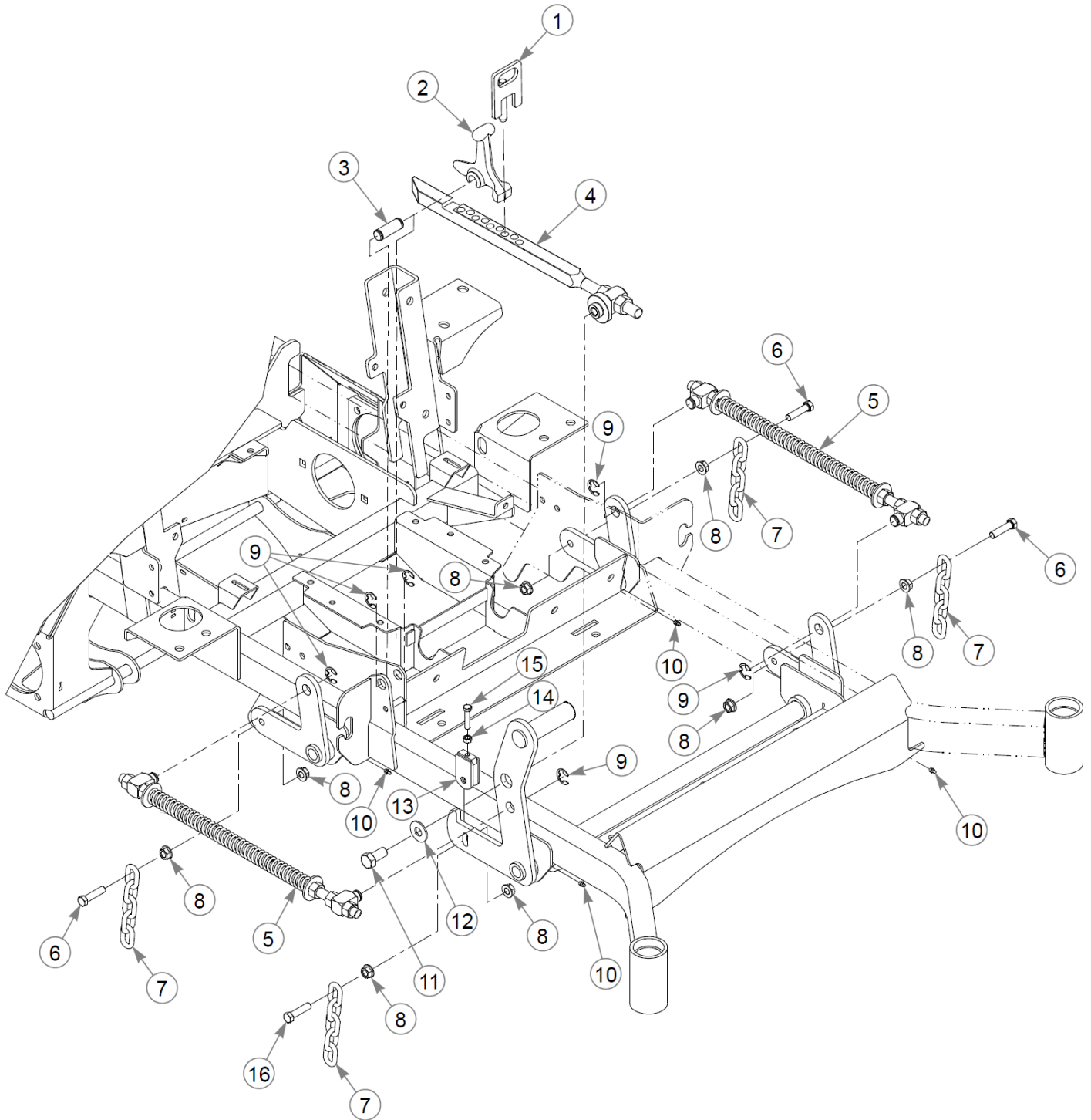
This page intentionally left blank



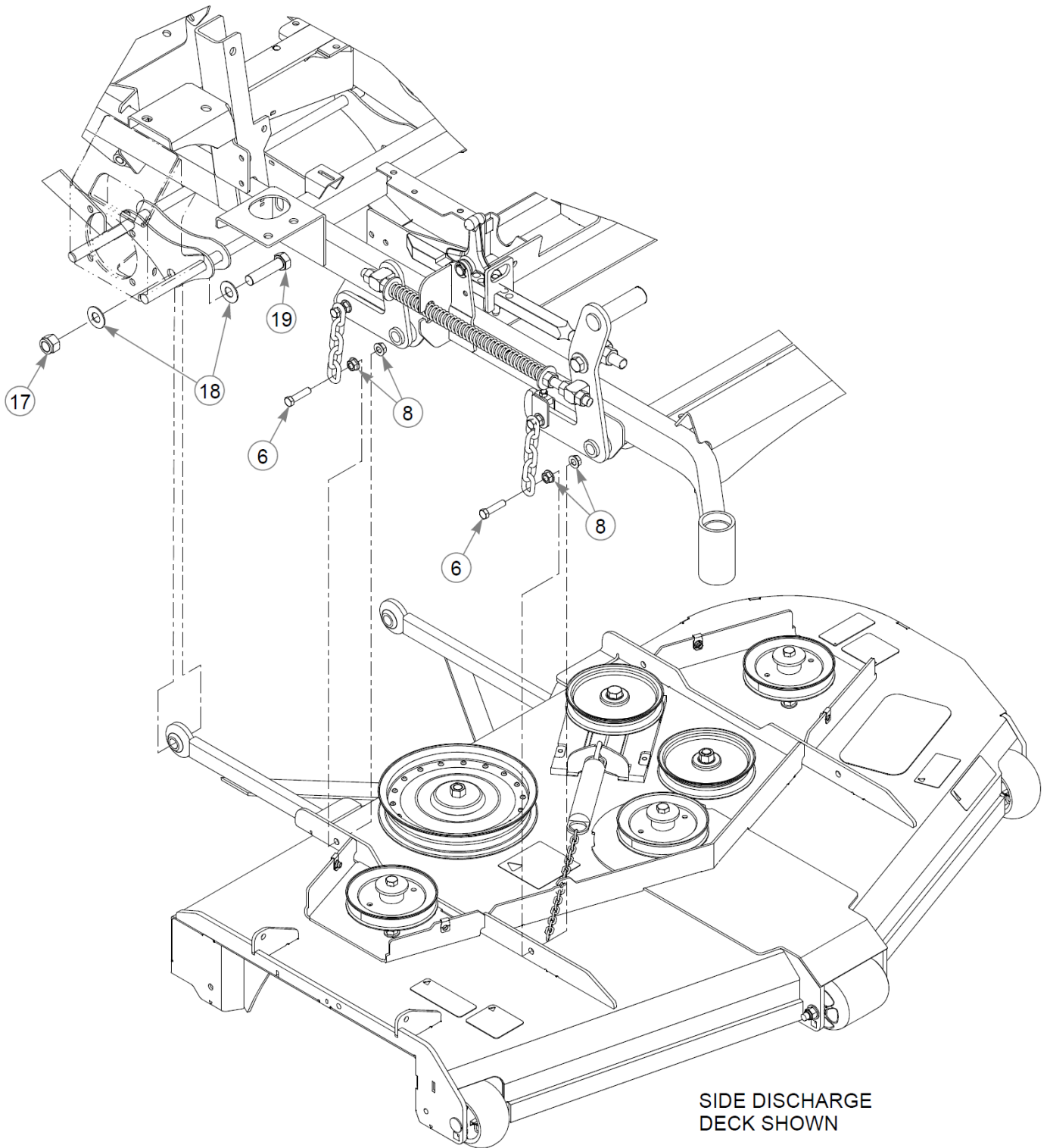
Item	Part No.	Qty	Name
1	128652-1	1	RS PULLEY COVER
2	602562	3	DECAL, NO SERVICE
3	601837	1	DECAL, DECK DANGERS
4	768523	6	FW 0.343SAE
5	034280	6	CS .312-18X0.750HXG5
6	128653-1	1	FRONT PULLEY COVER
7	128651-1	1	LS PULLEY COVER
8	603522	1	BELT, B-SEC 195.4 EL
9	603397	1	BELT, BB-SECTION 135.23
10	111339	4	TRIM, FLEX 6" length
11	608880	3	NT .50-13 FL NY
12	602344	1	SPACER, ANTI- SCALP 5.73
13	602341	1	WHEEL, ANTI-SCALP
14	602338	1	CB .50-13 X 7.50 STD ZN
15	602345	2	SPACER, ANTI-SCALP 3.22
16	602263	2	WHEEL, ANTI-SCALP
17	607288	2	CB .50-13X4.75 STD ZN
18	055822	9	CS .375-16X0.75 HX G5 ZN
19	767954	9	FW 0.379X.82X.06 HD ZN
20	115903	1	BAFFLE, LS CE
21	796839	2	BLADE, F23.86-L-F-CW
22	114988	3	SHIELD, BLADE BOLT
23	782474	3	CW .678 X 2.250 X .187
24	781872	2	CS .625-11X1.250HXG5
25	115902	1	BAFFLE RS CE
26	796508	1	BLADE, F23.86-L-F-CCW
27	604383	1	CS .625-11X1.250 G5 LHT

Comments for Page: Deck Belt, Discharge Chute, Pulley Covers & Blades (Multi-Page)

1. Torque to 118 ft-lbs.



This page intentionally left blank



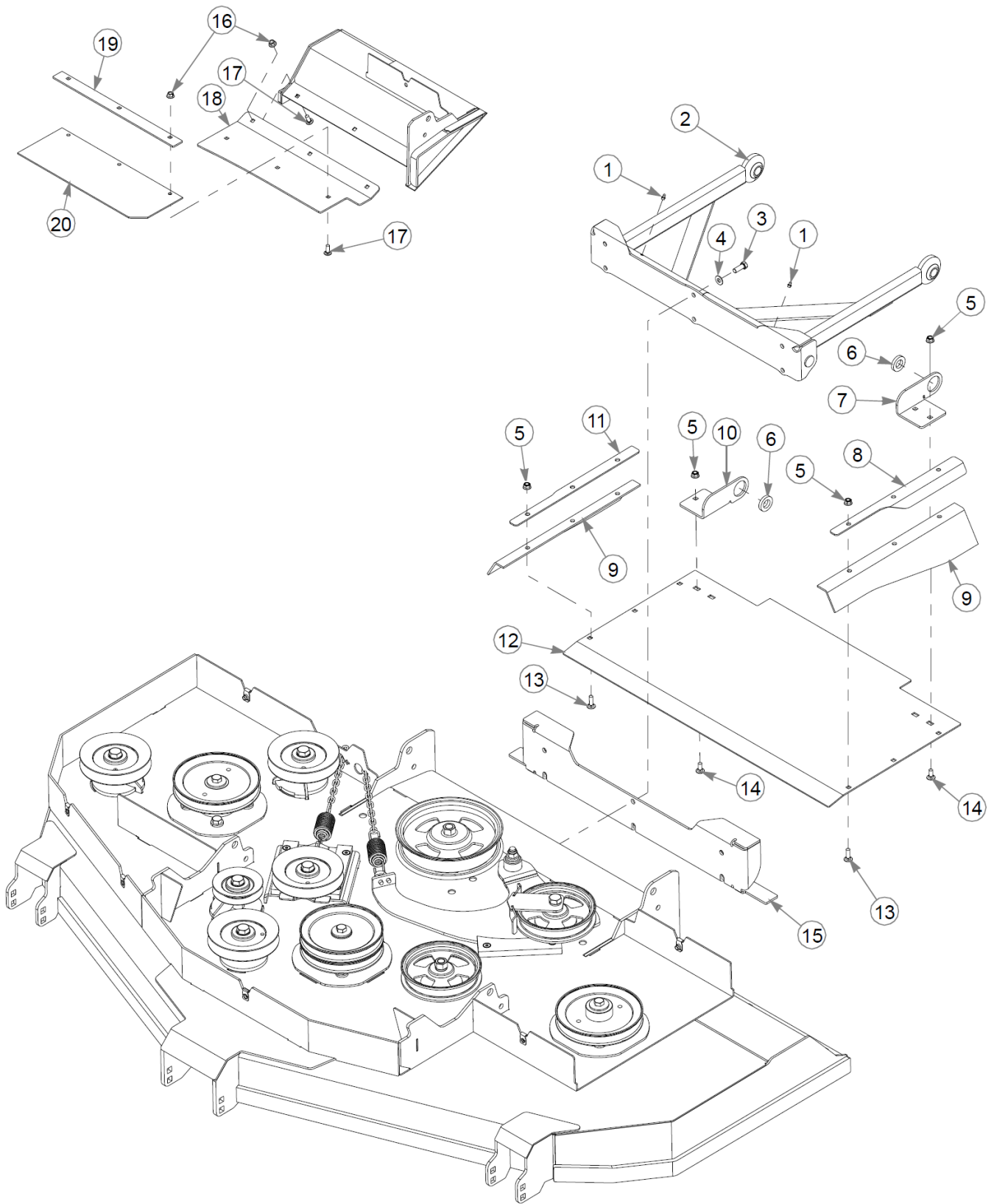
Item	Part No.	Qty	Name
1	600437	1	PIN, DECK HEIGHT W/A
2	348318	1	HANDLE, STOP
3	781229	1	CE .750X2.25 X1.75 HEAD
4	602898	1	DECK LIFT
5	603184	2	DECK LIFT SPRING S/A
6	055749	7	CS .437-14X1.750HXG5
7	348391	4	CHAIN, DECK LIFT
8	704643	16	NT .437-14FLKG5
9	781294	6	CLIP E, 1.00 X.625X .05
10	015495	4	GREASE FITTING STRAIGHT
11	781872	1	CS .625-11X1.250HXG5
12	704783	1	FW 0.625X1.500X0.105
13	348458	1	YOKE W/A, DECK LEVELER
14	034272	1	NT .312-18HXG5
15	756270	1	CS .312-18X1.500HXG5
16	781831	1	CS .437-14x1.75 FULTHG5
17	061101	2	NT .750-10 HX ZN NL GR B
18	025296	4	FW .760X1.63X0.08 ZN
19	051169	2	CS .750-10X3.000HXG5
	789115	2	CS .750-10X3.500HXG5

Comments for Page: 60" / 72" RD - Deck Lift & Mounting Hardware (Multi-Page)

1. 051169 is used on side discharge decks.
2. 789115 is used on rear discharge decks.



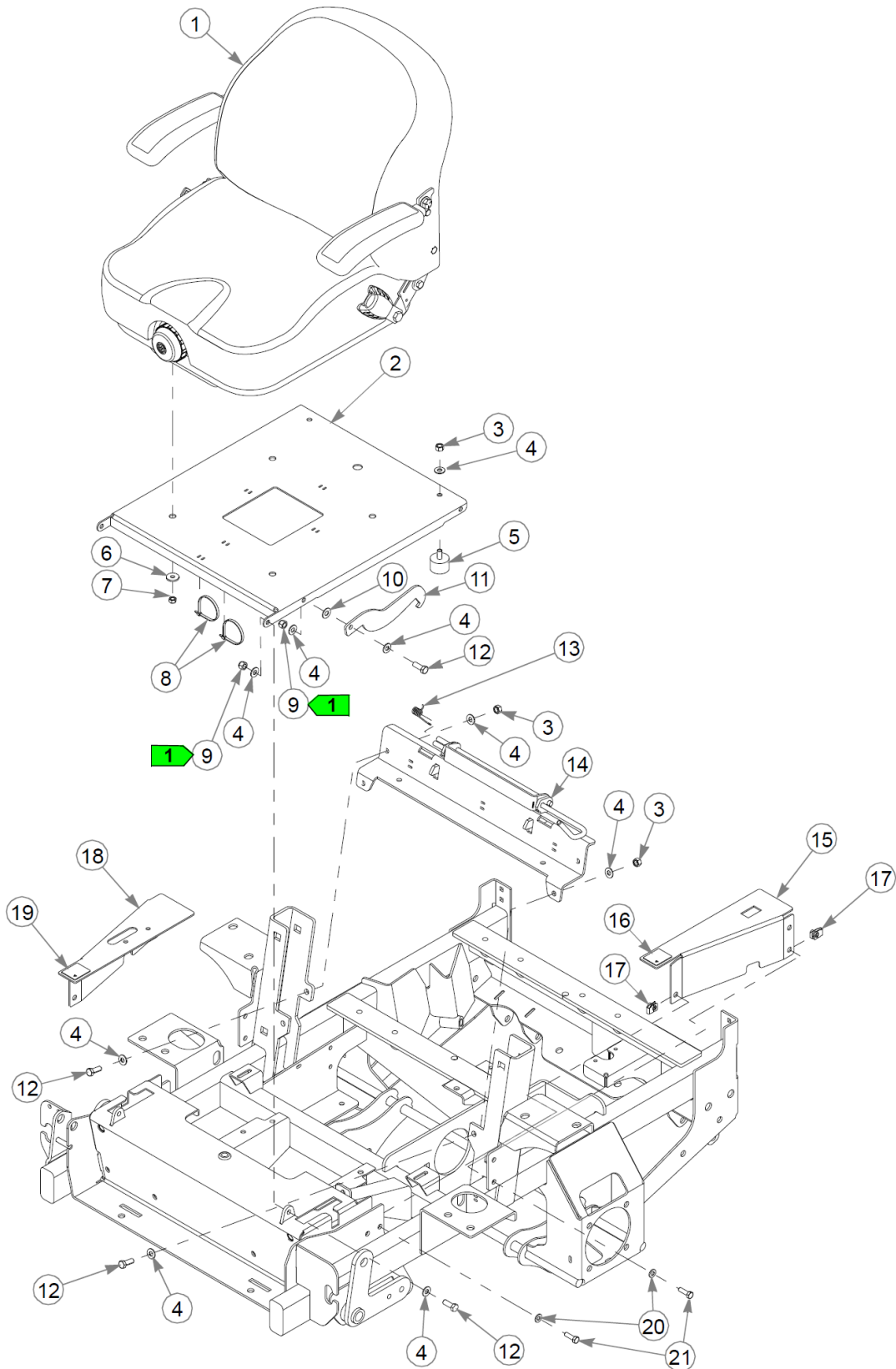
Dust Shield



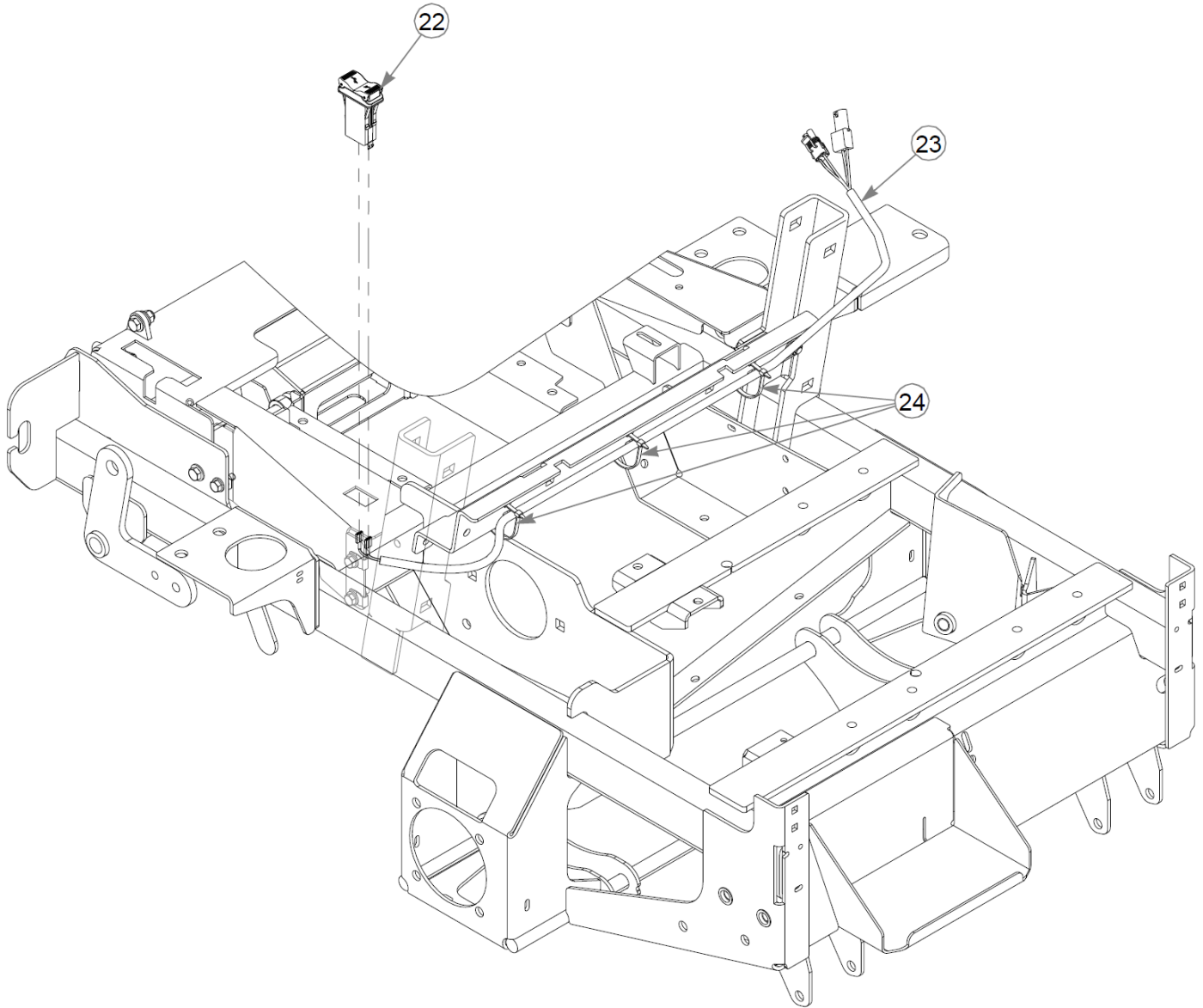
Dust Shield

72" Diesel Z Parts Manual - 943266CE -  
HTHDZR072PER403J-11C

Item	Part No.	Qty	Name
1	015495	2	GREASE FITTING STRAIGHT
2	113340	1	PUSHER W/A, HZ/SZ
3	036244	6	CS .375-16X1.00 HX G5 ZN
4	767954	6	FW 0.379X.82X.06 HD ZN
5	608059	10	NT 0.312-18 FL NY G5
6	778399	2	FW .781X1.38X.25 ZN
7	109482	1	CHUTE BRACKET
8	109486	1	CLAMP ANGLE
9	601483	2	SIDE FLAP, RUBBER
10	109483	1	CHUTE BRACKET
11	109487	1	CLAMP ANGLE RS
12	115533	1	SHIELD, DISCHARGE RD
13	037887	6	CB .312-18X 1.000 FUL ZN
14	016253	4	CB .312-18X .750 FUL ZN
15	114522	1	STOP, REAR DECK W/A
16	604515	12	NT .375-16 FL NY GF
17	025395	12	CB .375-16X 1.00 G5 ZN
18	110472	1	EXTENSTION BRACKET, LH72
19	110473	2	CLAMP BRACKET
20	601697	2	RUBBER DISCHARGE FLAP
21	110471	1	EXTENSION BRACKET,RH 72"



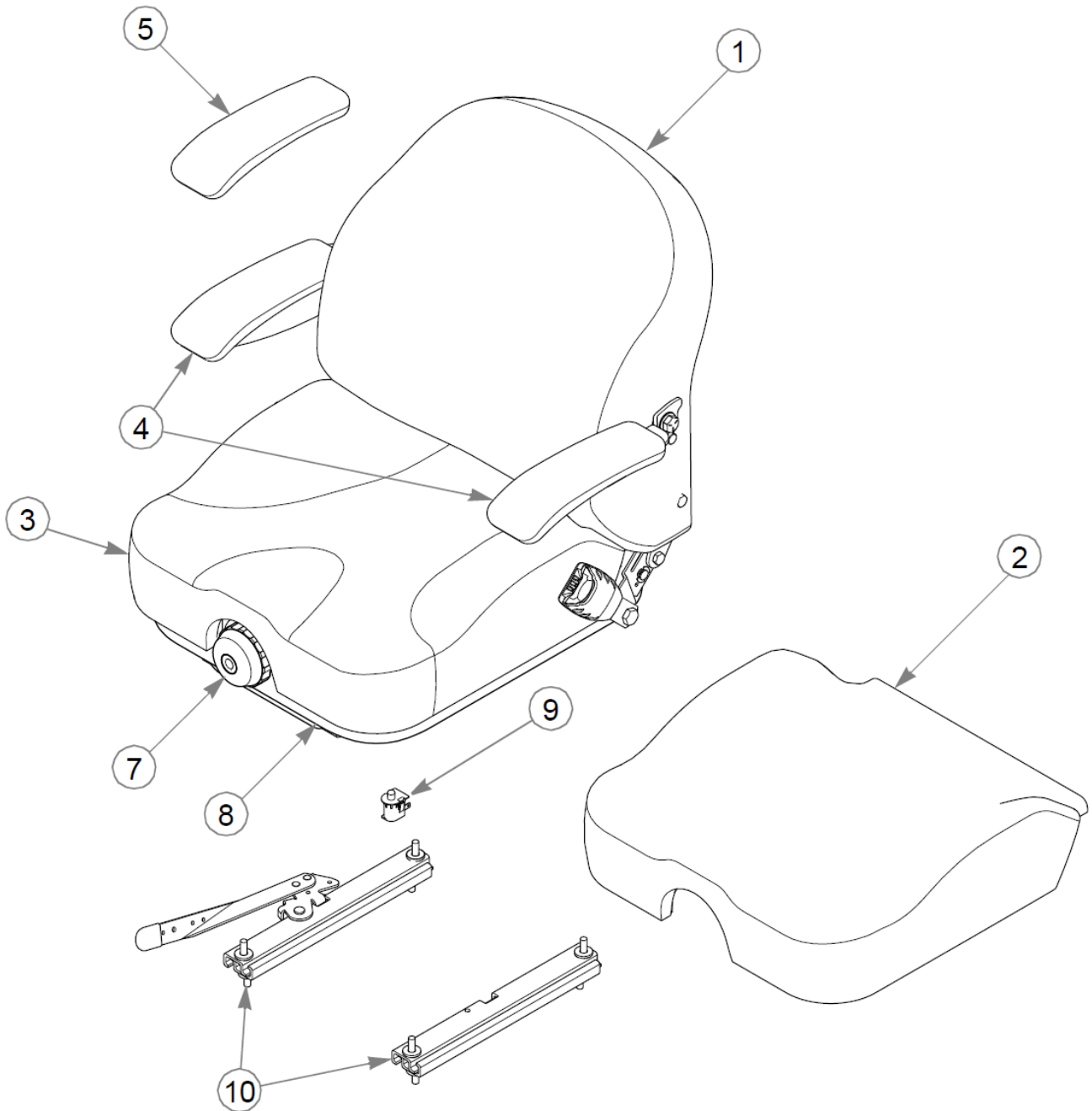
This page intentionally left blank



Item	Part No.	Qty	Name
1	608935	1	SEAT, I3M SEATS INC
2	551136	1	SEAT PAN, SERVICE
3	054502	6	NT .375-16HXG5
4	767954	16	FW 0.379X.82X.06 HD ZN
5	601650	2	VIBRATION MOUNT 70DURO
6	712927	4	FW 0.344X1.00X.12 HD ZN
7	058776	4	NT .312-18NLG5
8	000331	2	WIRE TIE, SMALL/SHORT
9	086660	3	NT .375-16NLG8
10	724716	1	WASHER, FIBER (FS)
11	350421	1	SEAT PAN STOP (PLATED)
12	036244	7	CS .375-16X1.00 HX G5 ZN
13	795583	1	SPRING,TORSION - DIESEL
14	109684	1	SEAT CATCH W/A
15	128736-1	1	FILLER PANEL LH
16	785139	1	DECAL, STEERING L.S.
17	601069	6	CN .312-18x.200 MAX THK
18	115149	1	FRAME COVER, RS HDZ
19	785220	1	DECAL, STEERING R.S.
20	768523	6	FW 0.343SAE
21	036236	6	CS .312-18X1.000HXG5
22	608492	1	USB PORT DUAL CHARGE
23	608734	1	HARNESS, USB
24	080358	3	GM .50X1.00X.75X.12

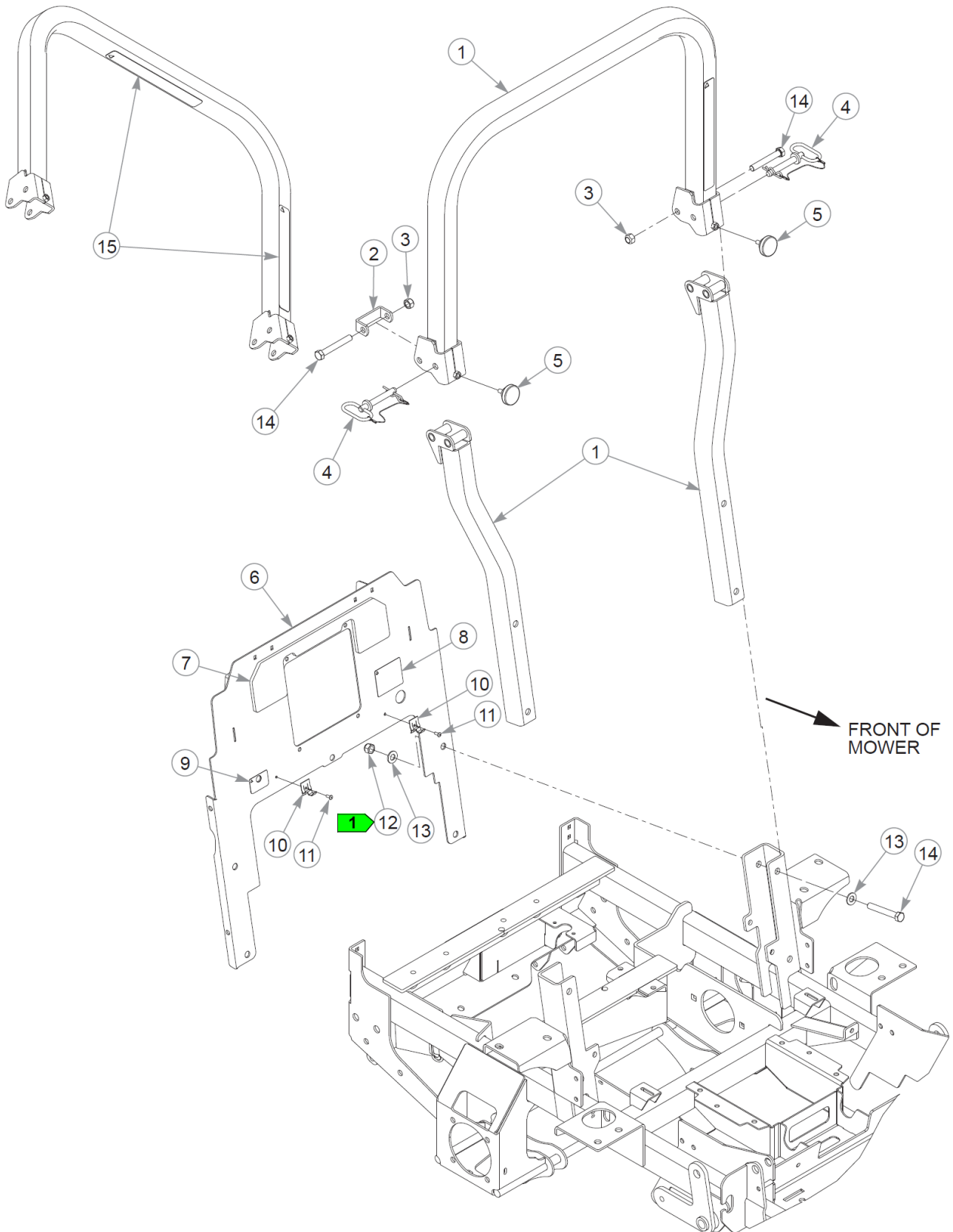
Comments for Page: Seat

1. Do not torque; the seat pan and seat pan stop must pivot freely.



Item	Part No.	Qty	Name
	608935	1	SEAT, I3M SEATS INC
1	608936	1	SVC, SEAT BACK COVER
2	608351	1	SVC, SEAT FOAM I3M
3	608937	1	SVC, SEAT CUSHION COVER
4	607166	1	SVC, ARM REST KIT
5	606081	2	SVC, ARM PAD
6	607207	1	SVC, SEAT BELT
7	607206	1	SVC, KNOB KIT
8	607205	1	SVC, BELLOWS
9	606082	1	SVC, OPS
10	607204	1	SVC, TRACK KIT





Item	Part No.	Qty	Name
1	603473	1	KIT, ROPS HDZ
2	601472	1	ROPS STOP
3	023317	2	NT .500-13UNTG8
4	601471	2	LYNCH PIN W/ LANYARD
5	601470	2	KNOB, HAND FOR ROPS
6	555901	1	SVC, HDZ FIREWALL
7	601559	1	SEAT PAD, FIREWALL
8	601377	1	DECAL, CHECK ENG OIL
9	601246	1	DECAL, FUEL VALVE HDZ
10	010306	2	LUDWIG SNAP FASTNER A-1
11	601089	2	RIVET .188 DIA BLK HD
12	781567	4	NT .500-13NLG5
13	767962	8	FW .531 x 1.063 x .175
14	061812	6	CS .500-13X3.50 HX G5 ZN
15	601635	2	DECAL, ROP'S

Comments for Page: ROPS & Firewall

1. Torque to 99 N•m.
2. The ROPS kit includes decals, hardware and seatbelt.
3. The firewall includes the decals.